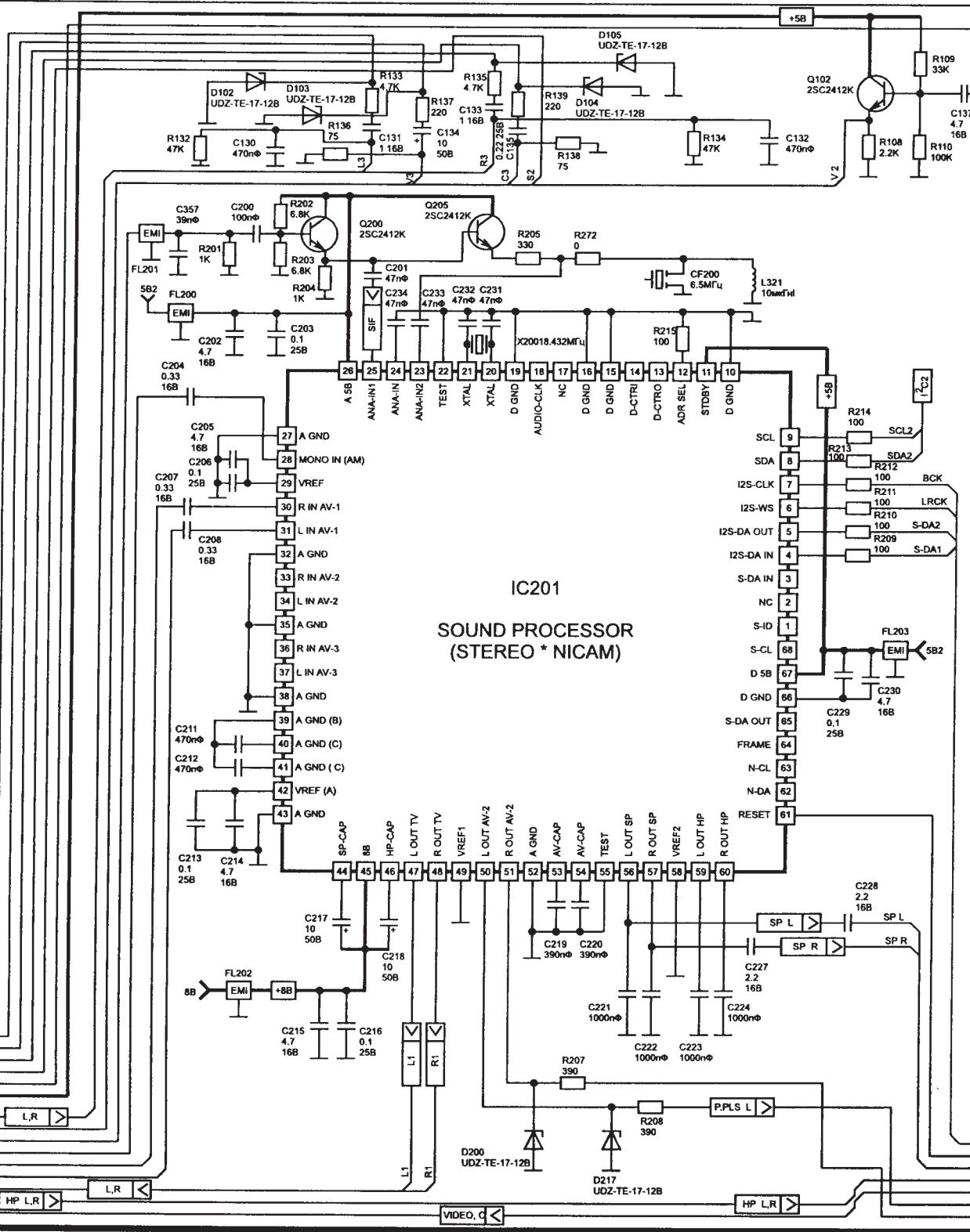


A(1/2) (AV INPUT/OUTPUT INTERFACE, DIGITAL COMB FILTER, COLOR DECODER SOUND PROCESSOR, DOLBY NOISE REDUCTION, MICRO CONTROLLER, MEGA TEXT)



PIP V

COMBY

Q1311
2SC2412K

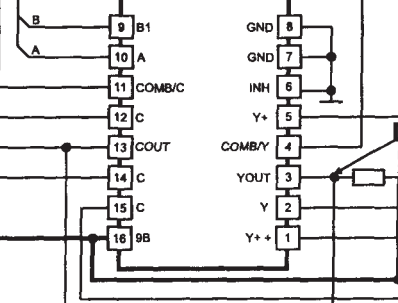
Q1302
2SA1037K

Q1303
2SA1037K

Q1312
2SC2412K

R1325
22
Y/CVBS

IC1303
MC14052BDR2
DIGITAL COMB
FILTER SW



Q1301
2SA1037K

Q1304
2SA1037K

Q1305
2SA1037K

Q1306
2SA1037K

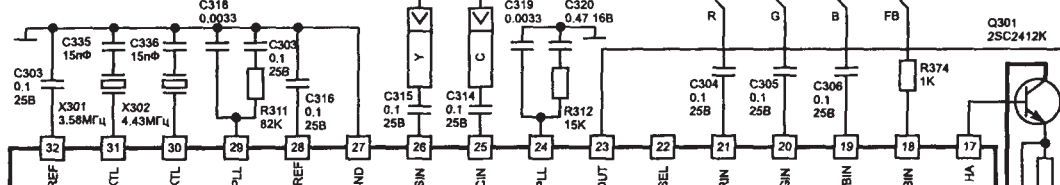
R1344
330

R1342
47

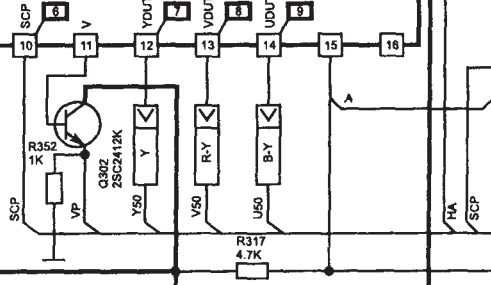
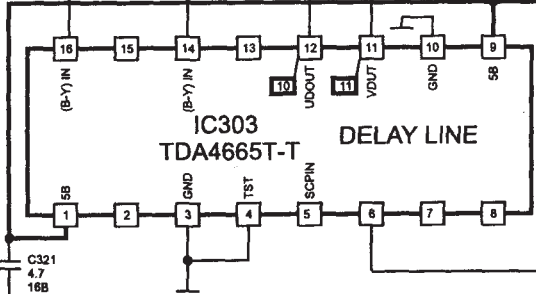
R1341
47

R1340
330

IC302
MAIN COLOR DECODER



IC303
TDA4665T-T
DELAY LINE



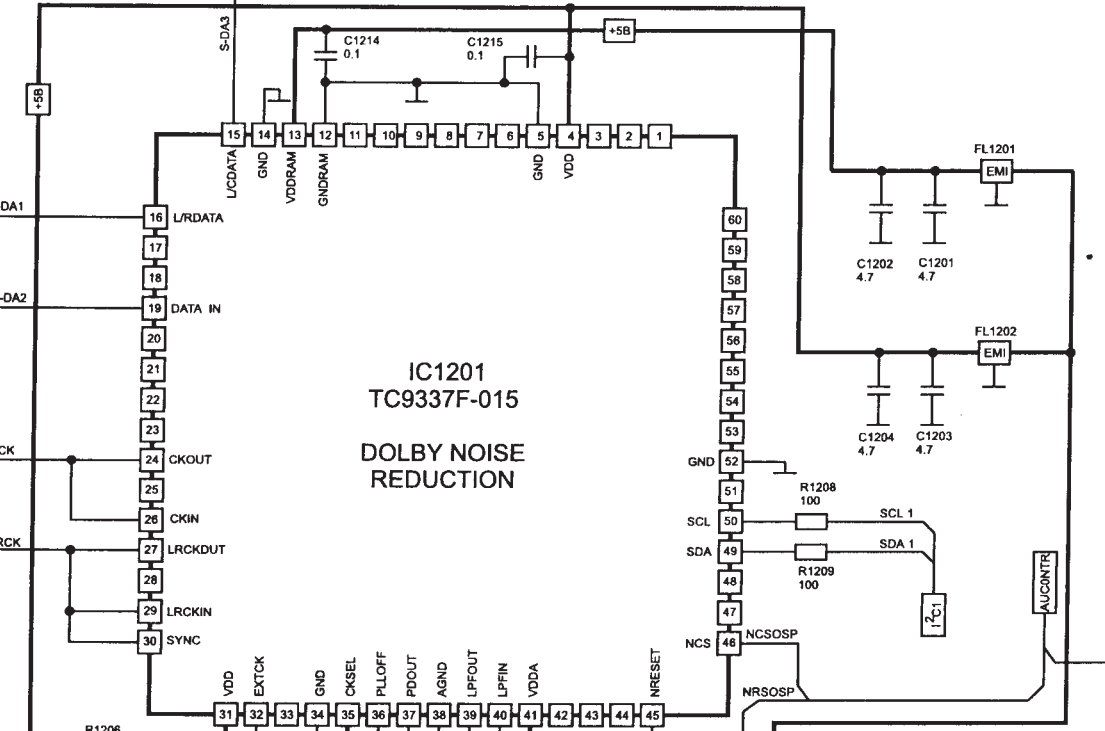
VIDEO, C

HP L,R

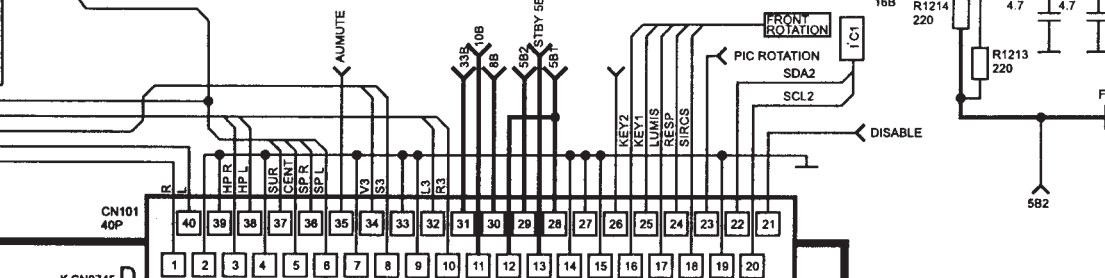
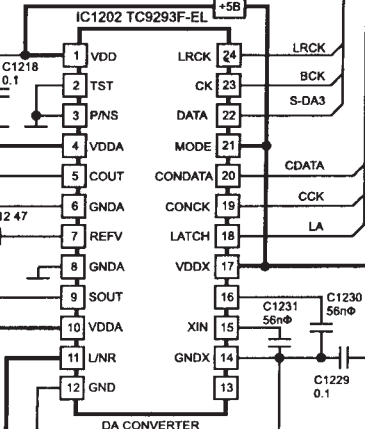
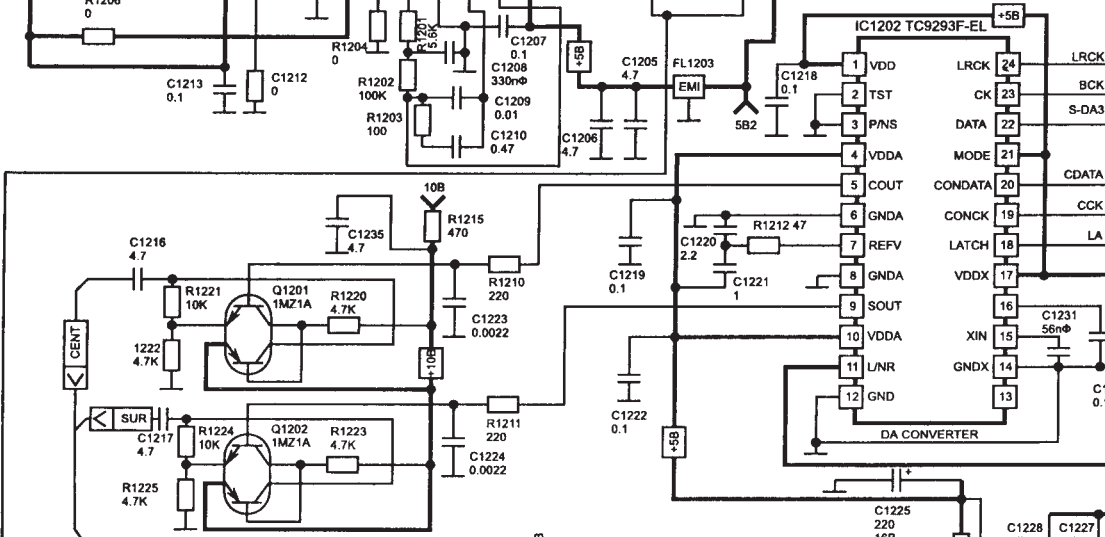
P.PLS L

P.PLS R

Y,R-Y,B-Y



IC1201
TC9337F-015
DOLBY NOISE
REDUCTION



K CN0745 D

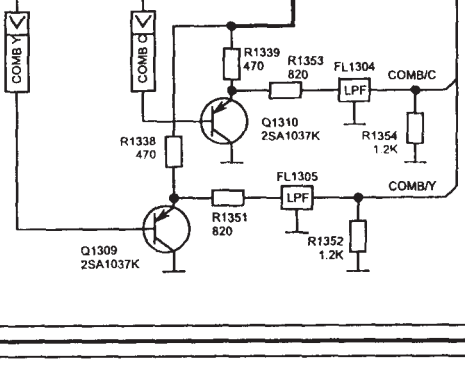
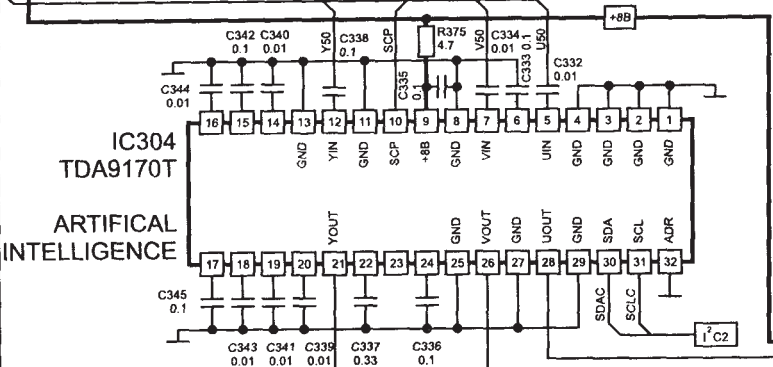
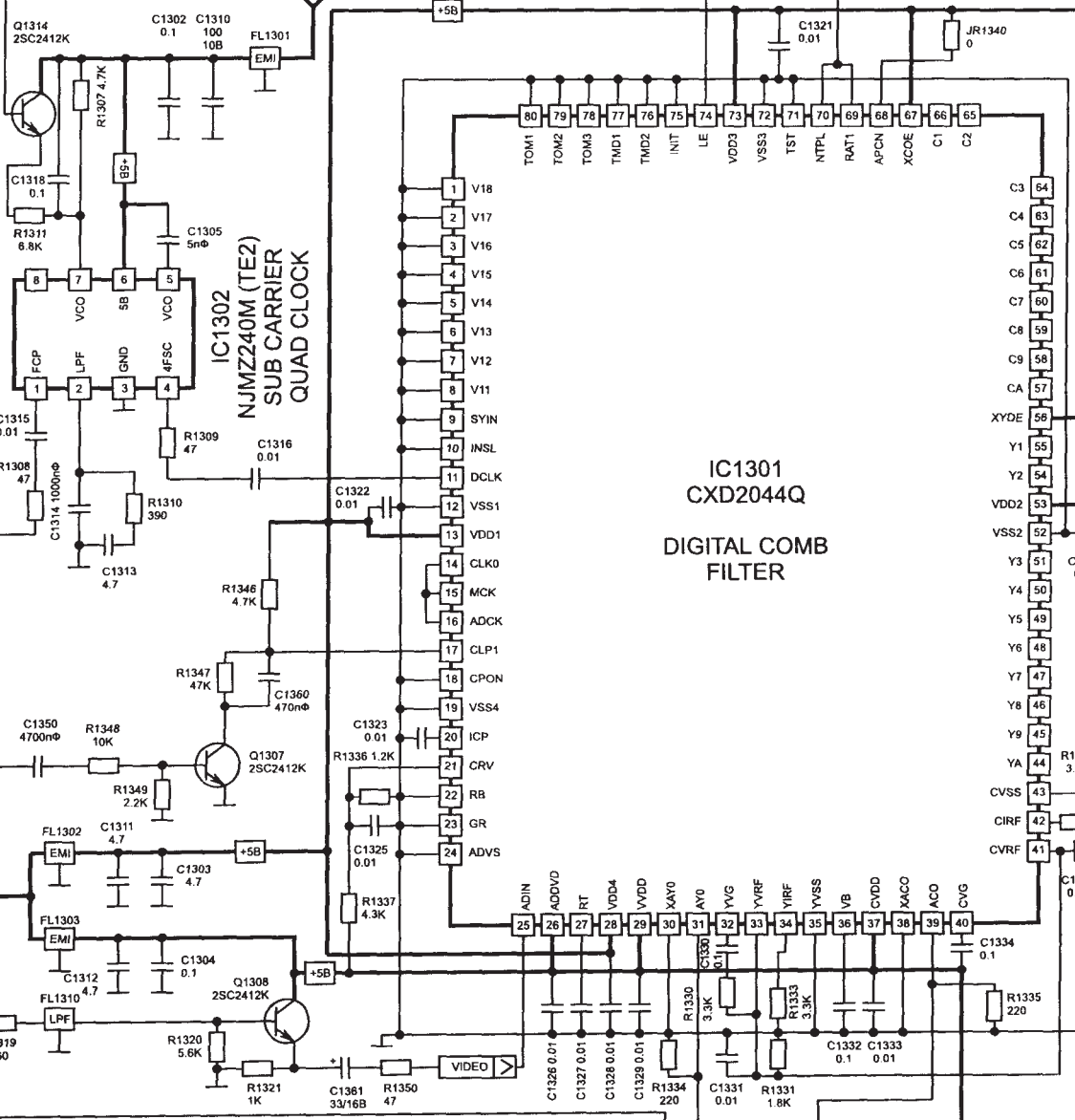
COMB Y C

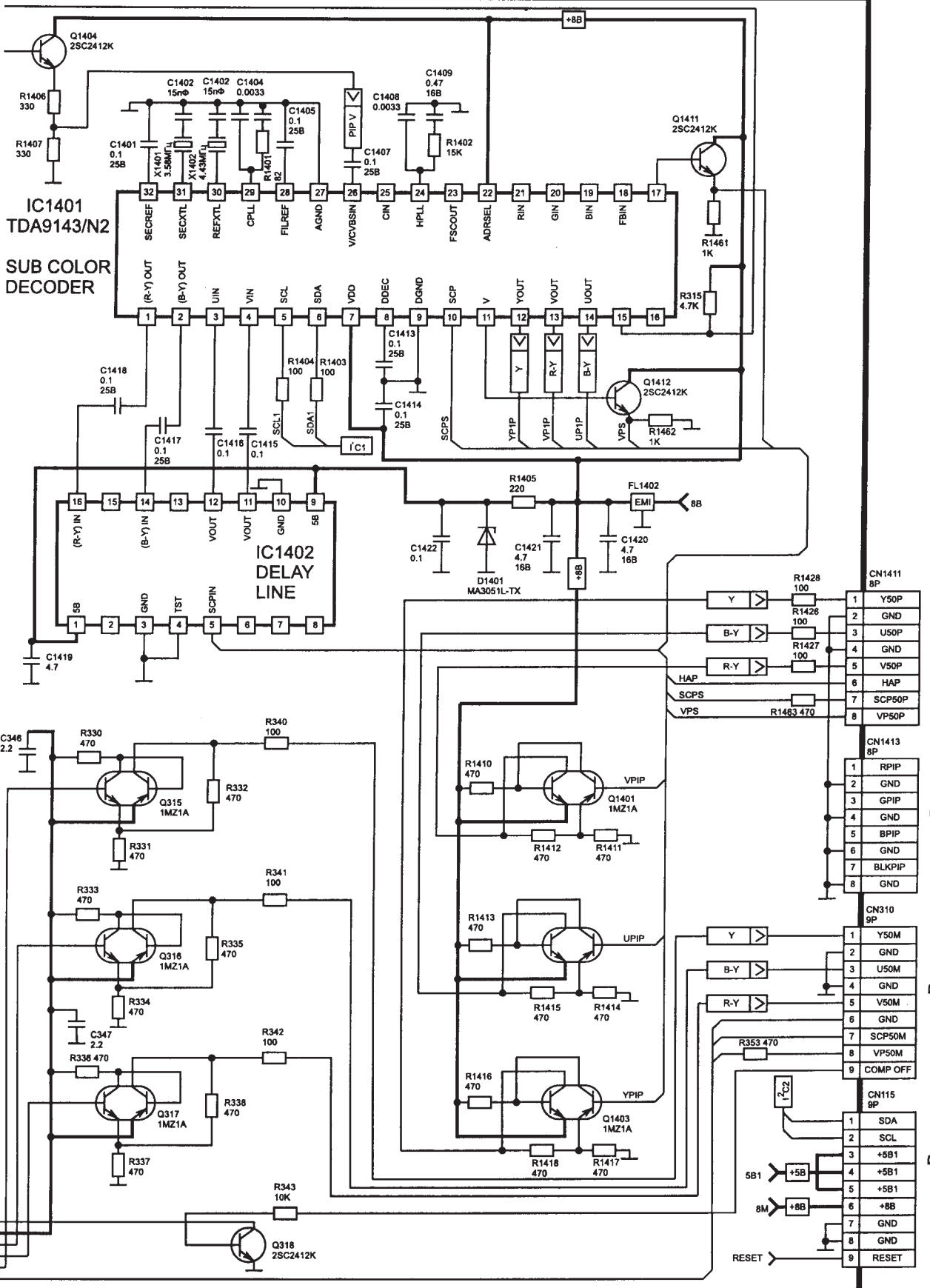
PIP V

PL / NT

VIDEO

COMB Y C





**IC1401
TDA9143/N2**

**SUB COLOR
DECODER**

**IC1402
DELAY
LINE**

K CN1811 B(1/2)

K CN1413 B(1/2)

K CN1810 B(1/2)

K CN1815 B(1/2)

CN1411 8P

1	Y50P
2	GND
3	U50P
4	GND
5	V50P
6	HAP
7	SCP50P
8	VP50P

CN1413 8P

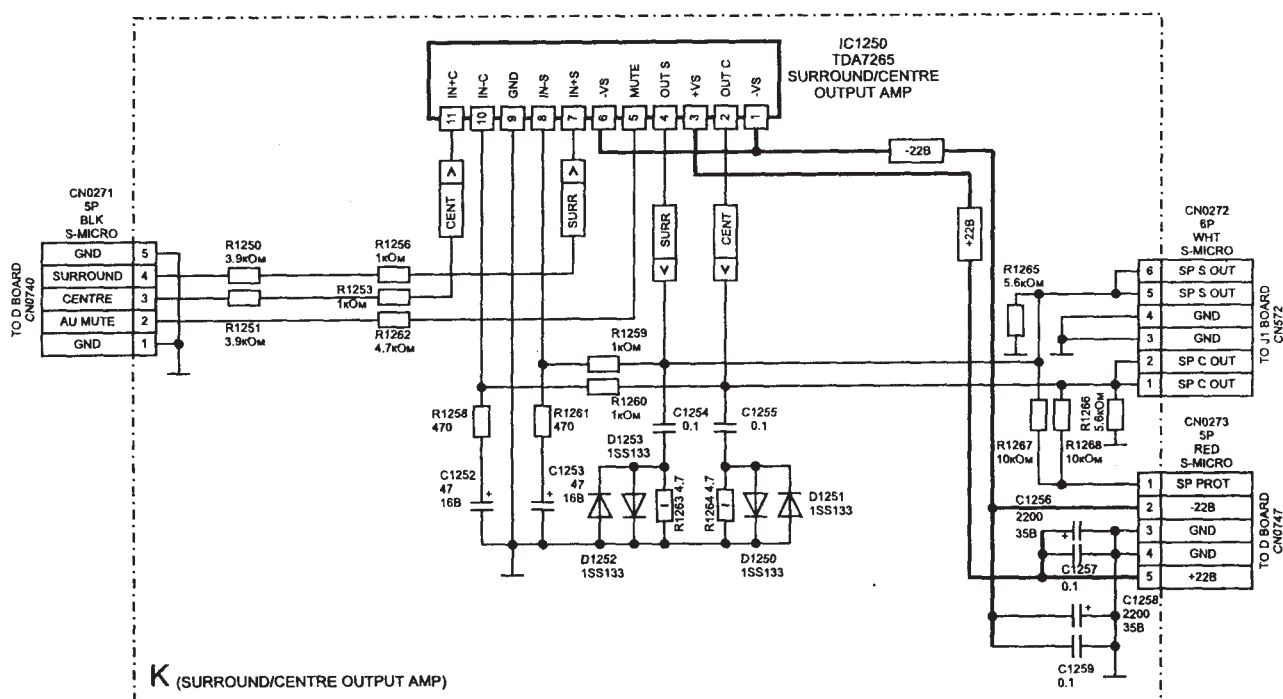
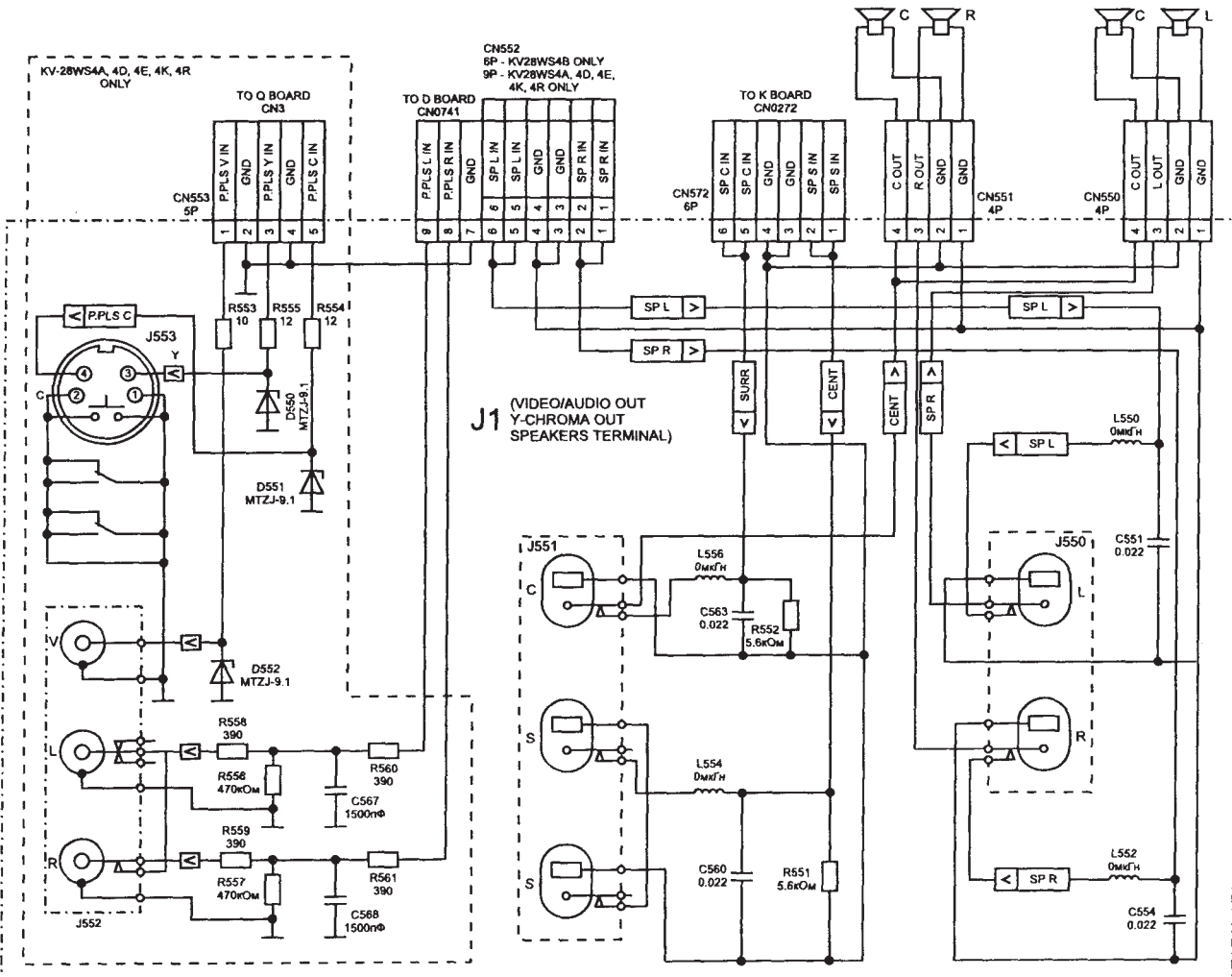
1	RPIP
2	GND
3	GP1P
4	GND
5	BP1P
6	GND
7	BLKP1P
8	GND

CN310 9P

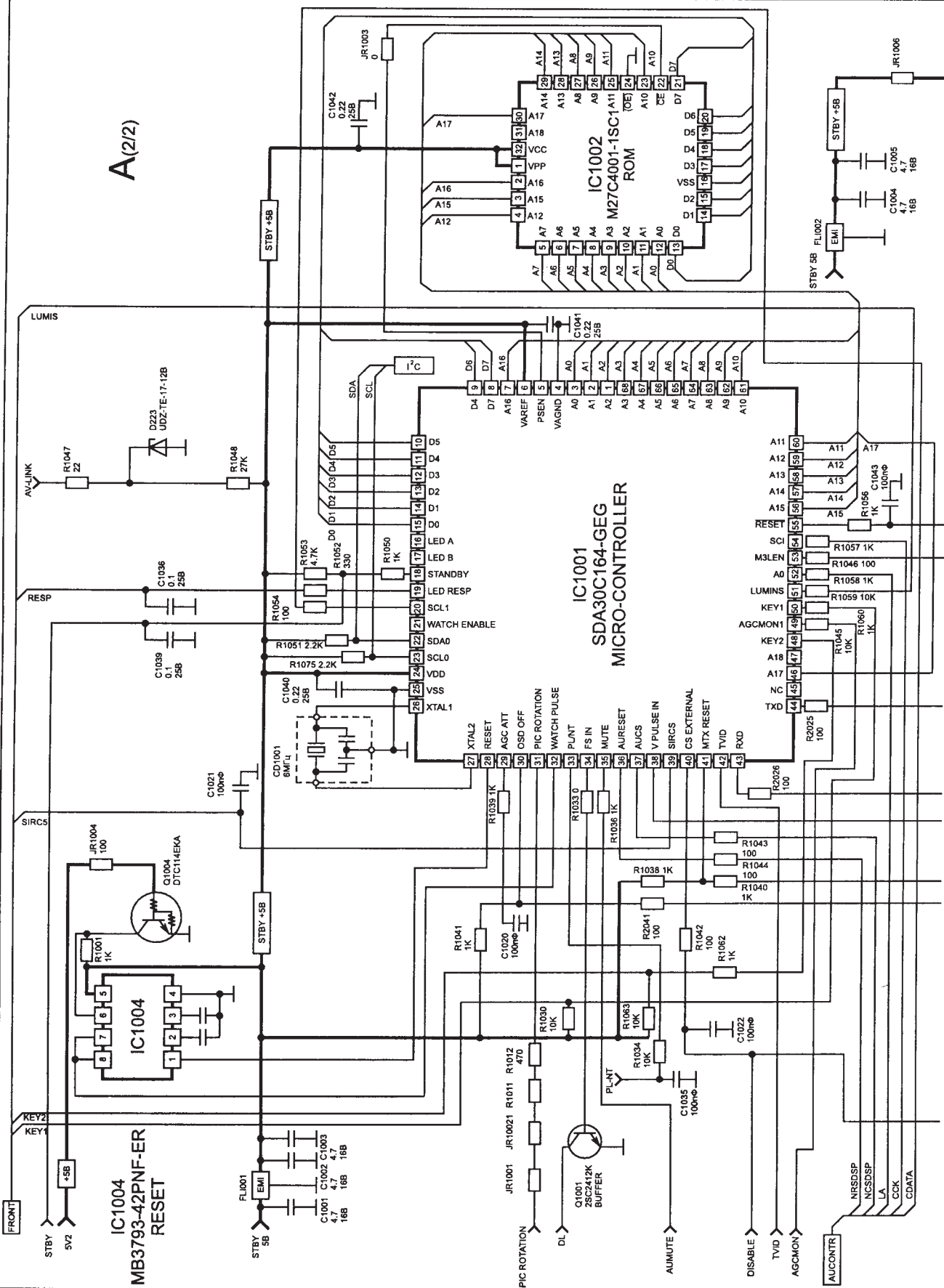
1	Y50M
2	GND
3	U50M
4	GND
5	V50M
6	GND
7	SCP50M
8	VP50M
9	COMP OFF

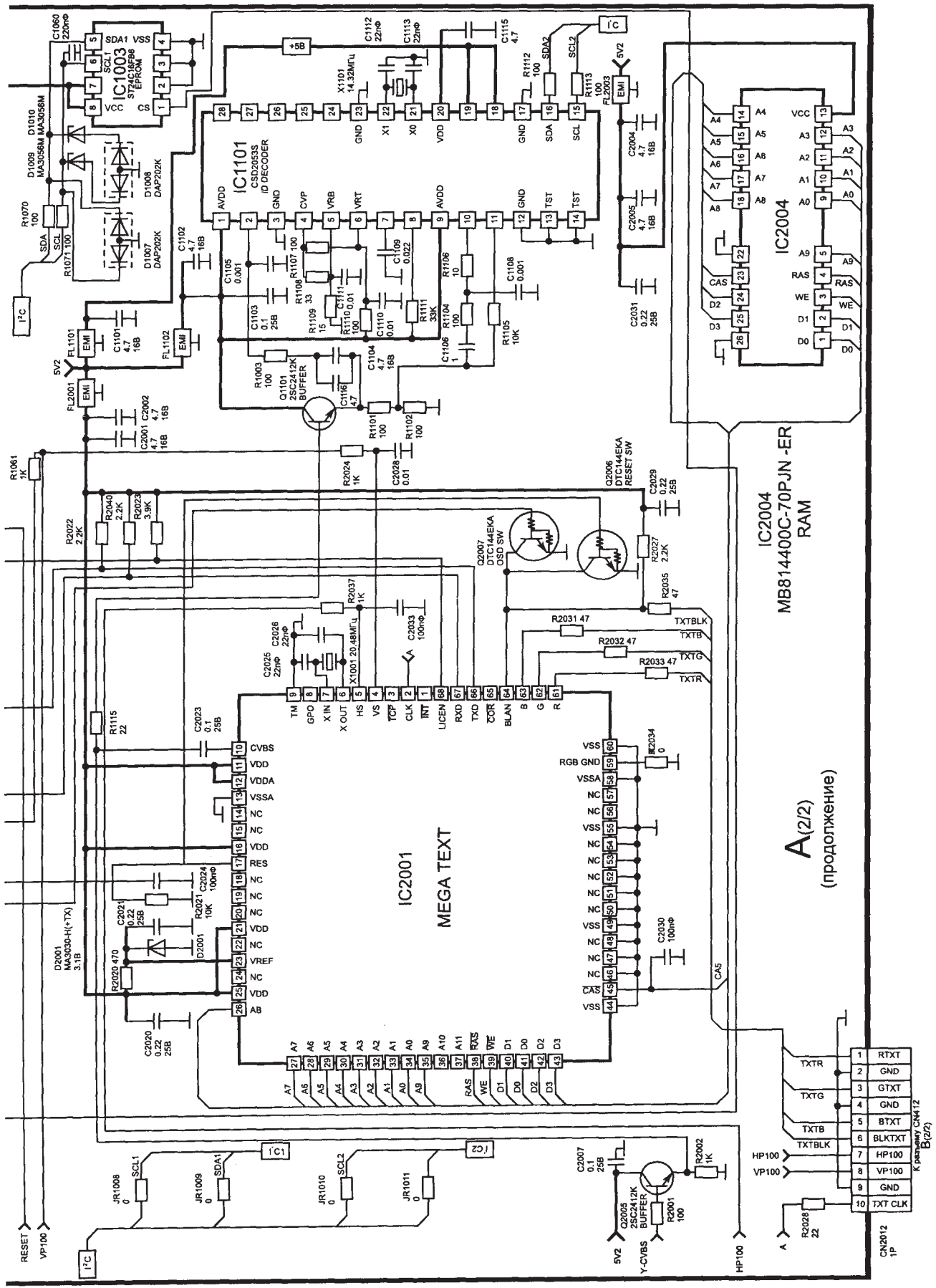
CN1115 9P

1	SDA
2	SCL
3	+5B1
4	+5B1
5	+5B1
6	+8B
7	GND
8	GND
9	RESET



A(2/2)





IC2004
MB814400C-70PJN -ER
RAM

A(2/2)
(продолжение)

К плате CM112
B(2/2)

CN2012
1P

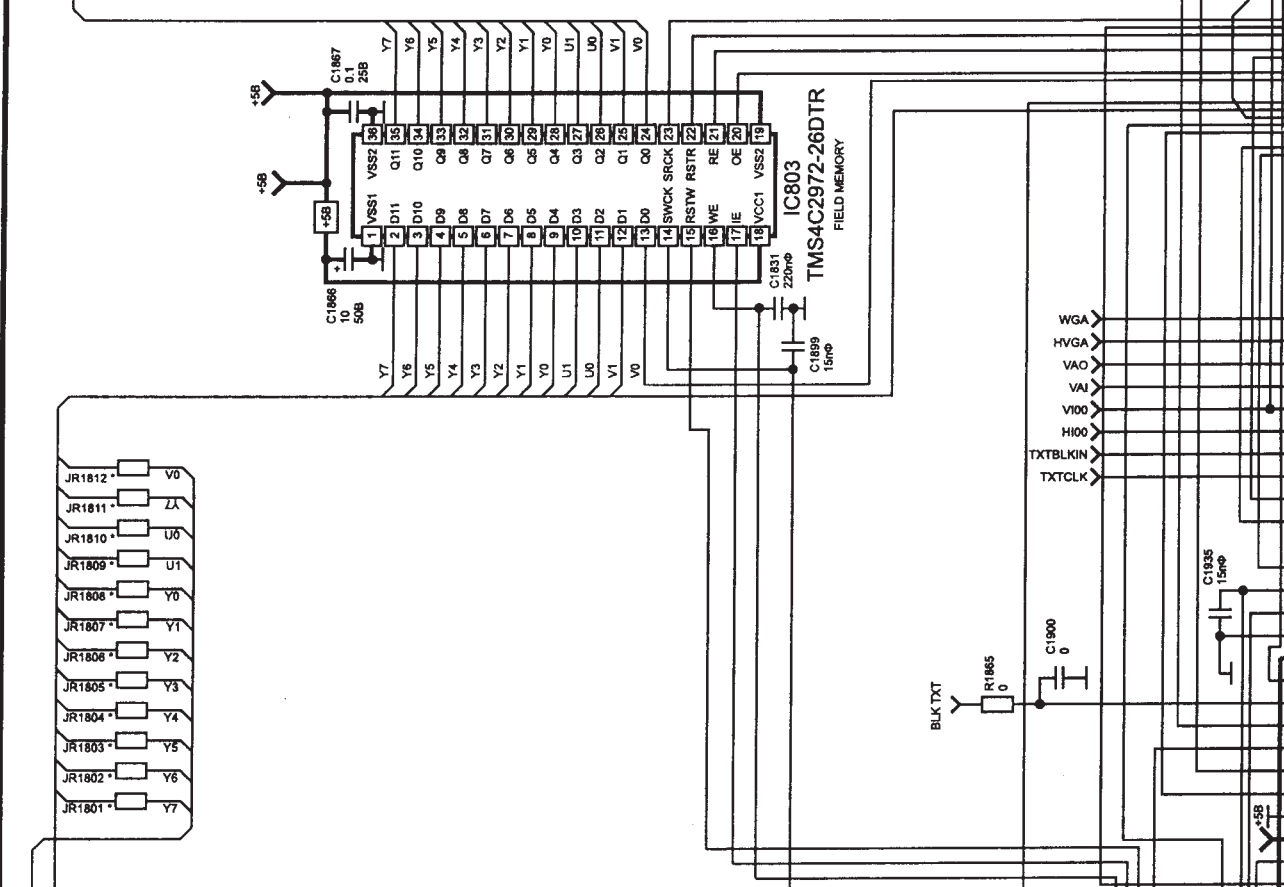
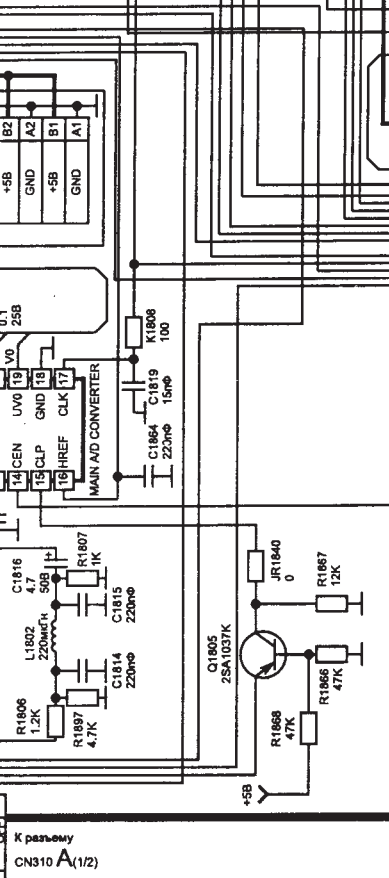
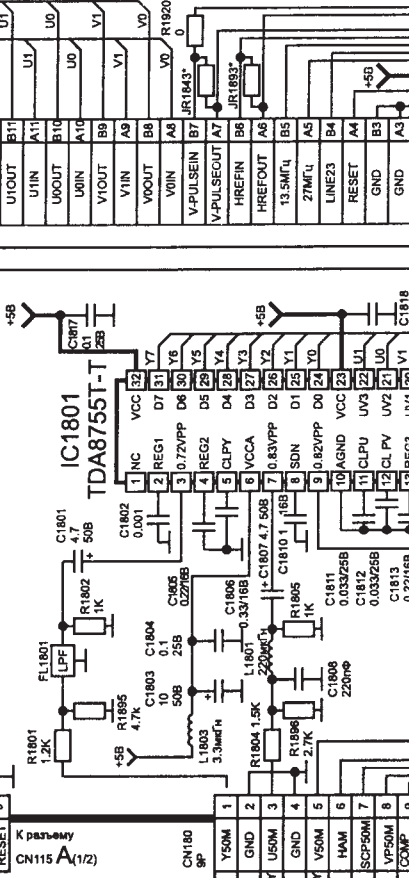
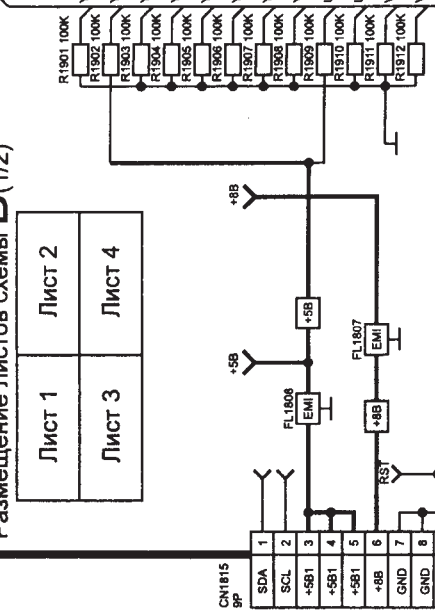
Размещение листов схемы В(1/2)

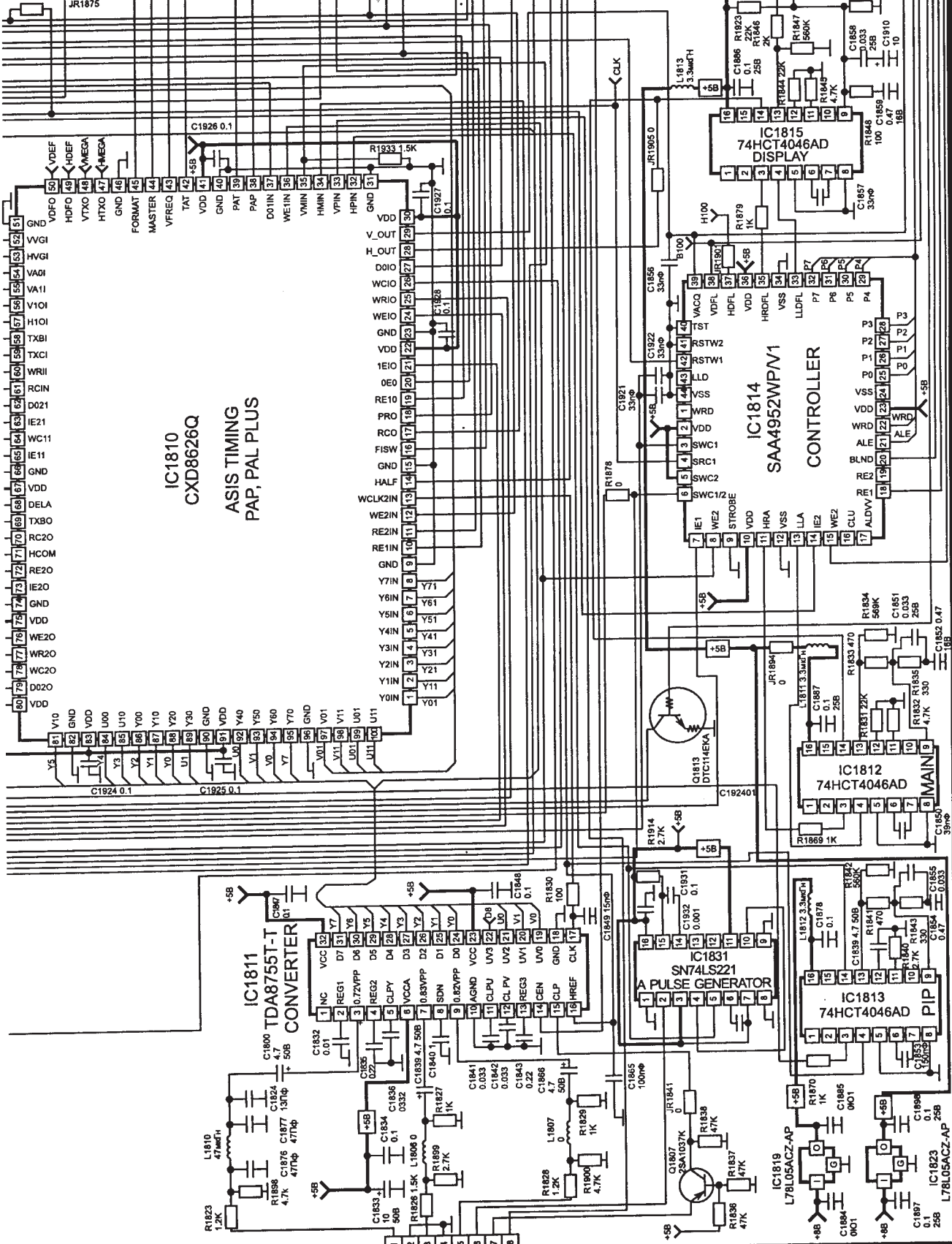
Лист 1	Лист 2
Лист 3	Лист 4

CN1813 40P

К разъему CN1 Q

SDA	B20
SCL	A20
Y7OUT	B18
Y7IN	A18
Y6OUT	B18
Y6IN	A18
Y5OUT	B17
Y5IN	A17
Y4OUT	B16
Y4IN	A16
Y3OUT	B15
Y3IN	A15
Y2OUT	B14
Y2IN	A14
Y1OUT	B13
Y1IN	A13
Y0OUT	B12
Y0IN	A12
U10OUT	B11
U10IN	A11
U9OUT	B10
U9IN	A10
U8OUT	B9
U8IN	A9
U7OUT	B8
U7IN	A8
U6OUT	B7
U6IN	A7
U5OUT	B6
U5IN	A6
U4OUT	B5
U4IN	A5
U3OUT	B4
U3IN	A4
U2OUT	B3
U2IN	A3
U1OUT	B2
U1IN	A2
U0OUT	B1
U0IN	A1





**IC1810
CXD8626Q**
ASIS TIMING
P&P, PAL PLUS

**IC1811
TDA8755T-1
CONVERTER**

**IC1814
SAA4952W/P/1
CONTROLLER**

**IC1815
74HCT4046AD
DISPLAY**

**IC1812
74HCT4046AD**

**IC1831
A PULS GEN
SN7ALS221**

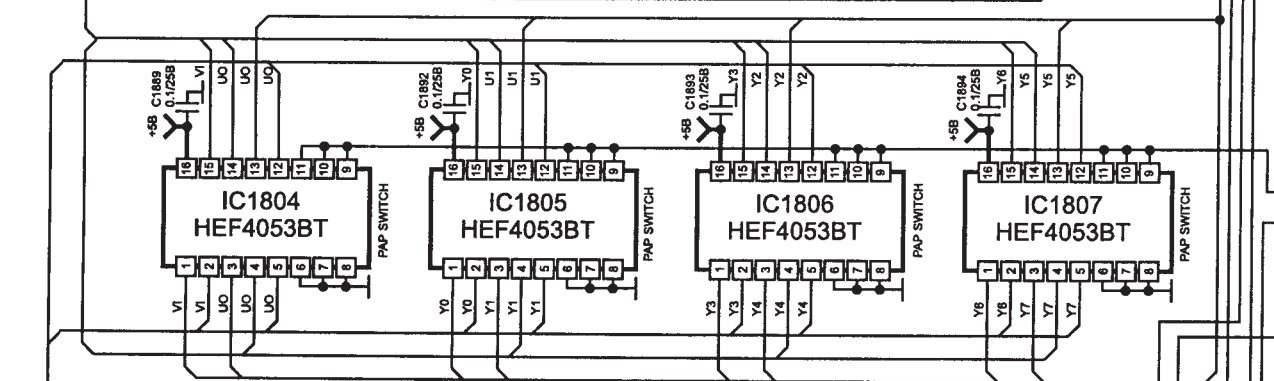
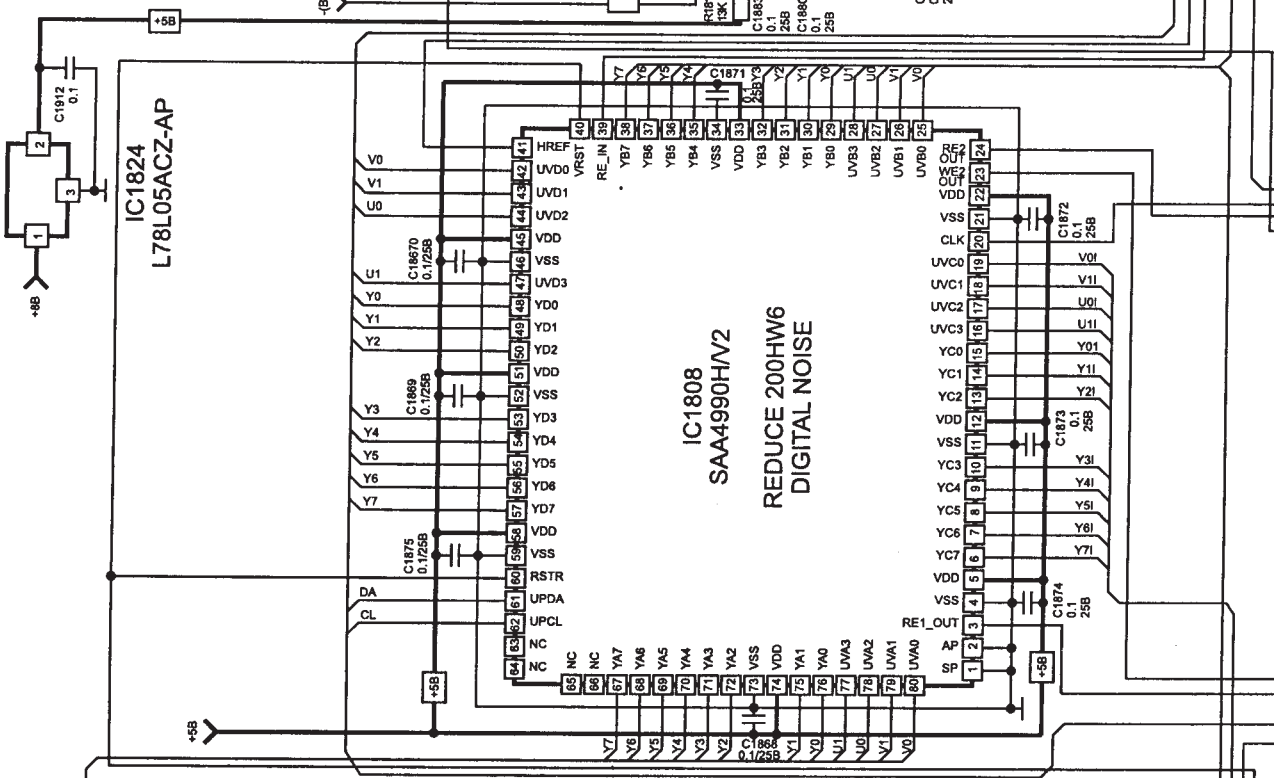
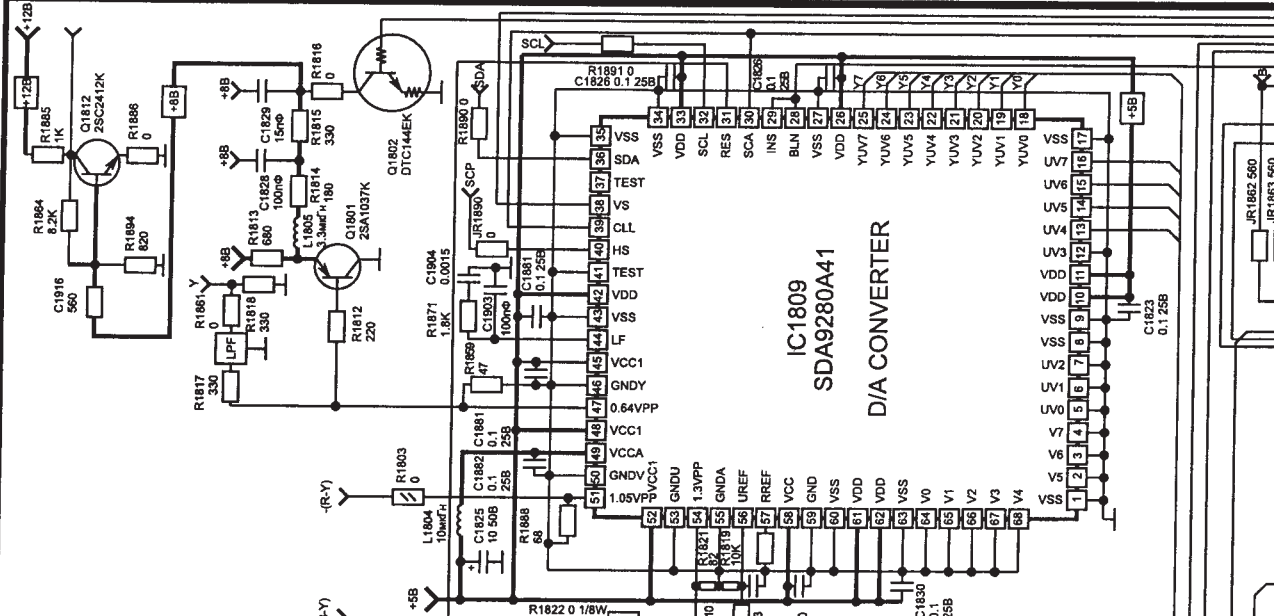
**IC1813
74HCT4046AD PIP**

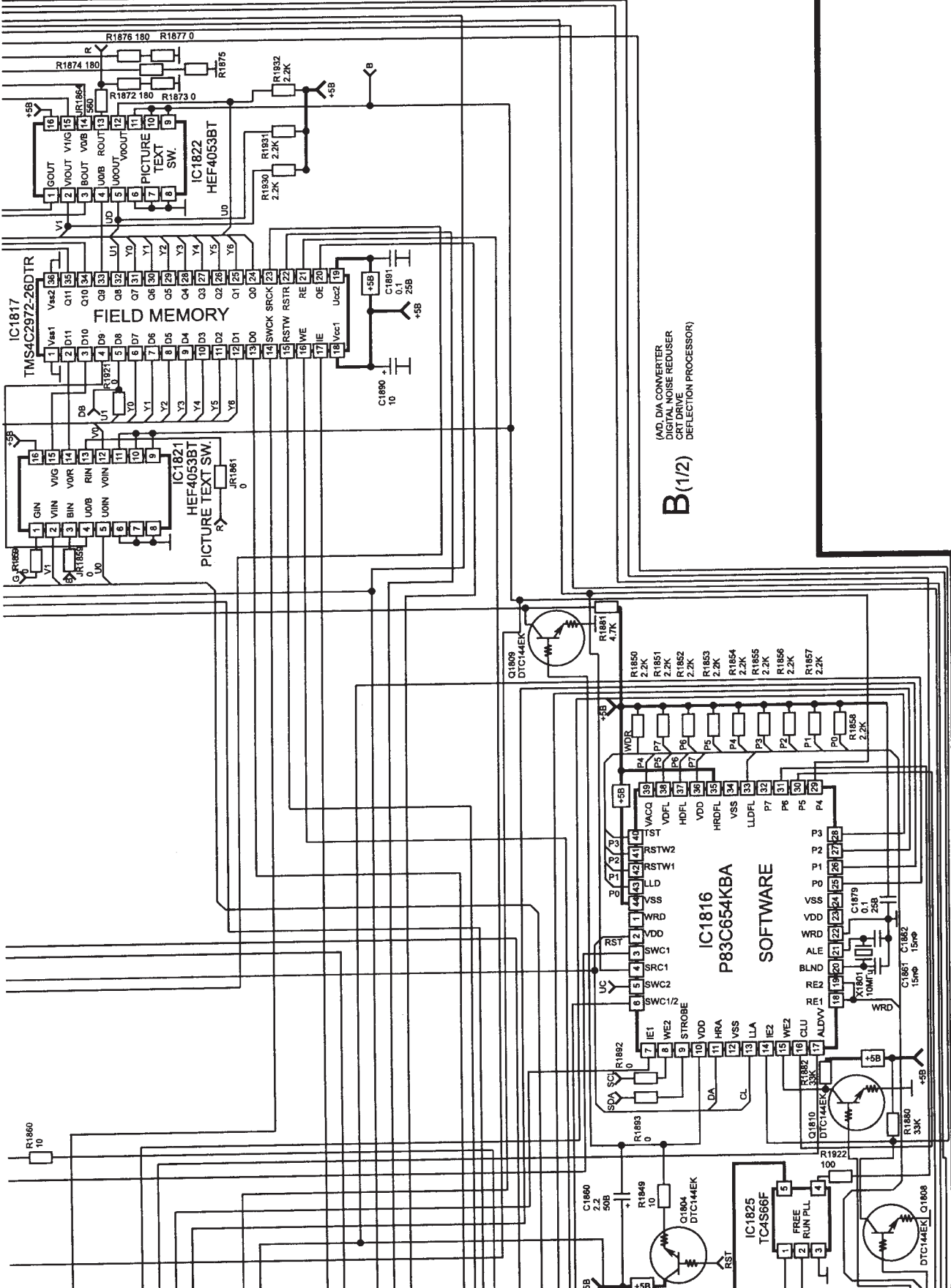
**IC1832
74HCT4046AD MAIN**

CN1811
8P

Y	Y50P	1
GND	U50P	2
B-Y	U50P	3
GND	U50P	4
R-Y	V50P	5
H4P	H4P	6
SCP50P	SCP50P	7
VP50P	VP50P	8

K passkey
CN1411 A(1/2)





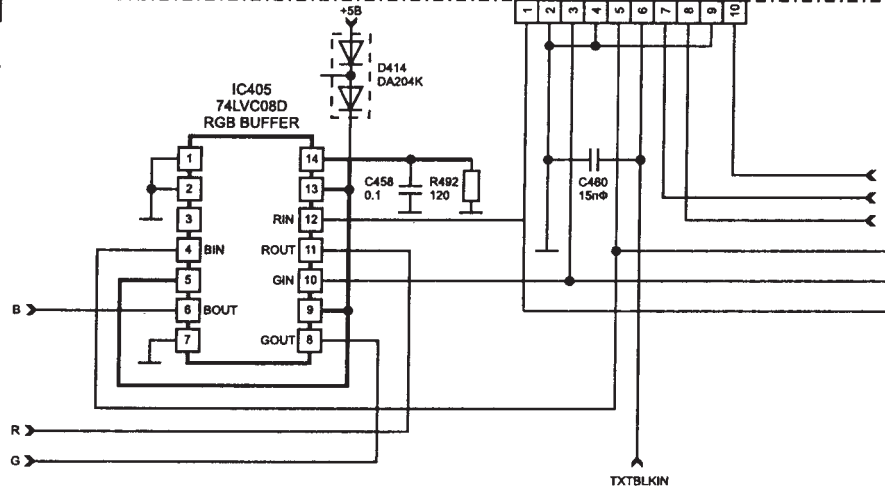
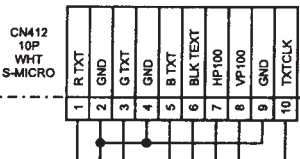
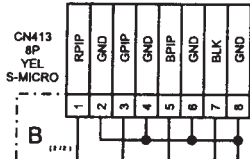
(AD. DIA CONVERTER
DIGITAL NOISE REDUCER
CRT DRIVE
DEFLECTION PROCESSOR)

B (1/2)

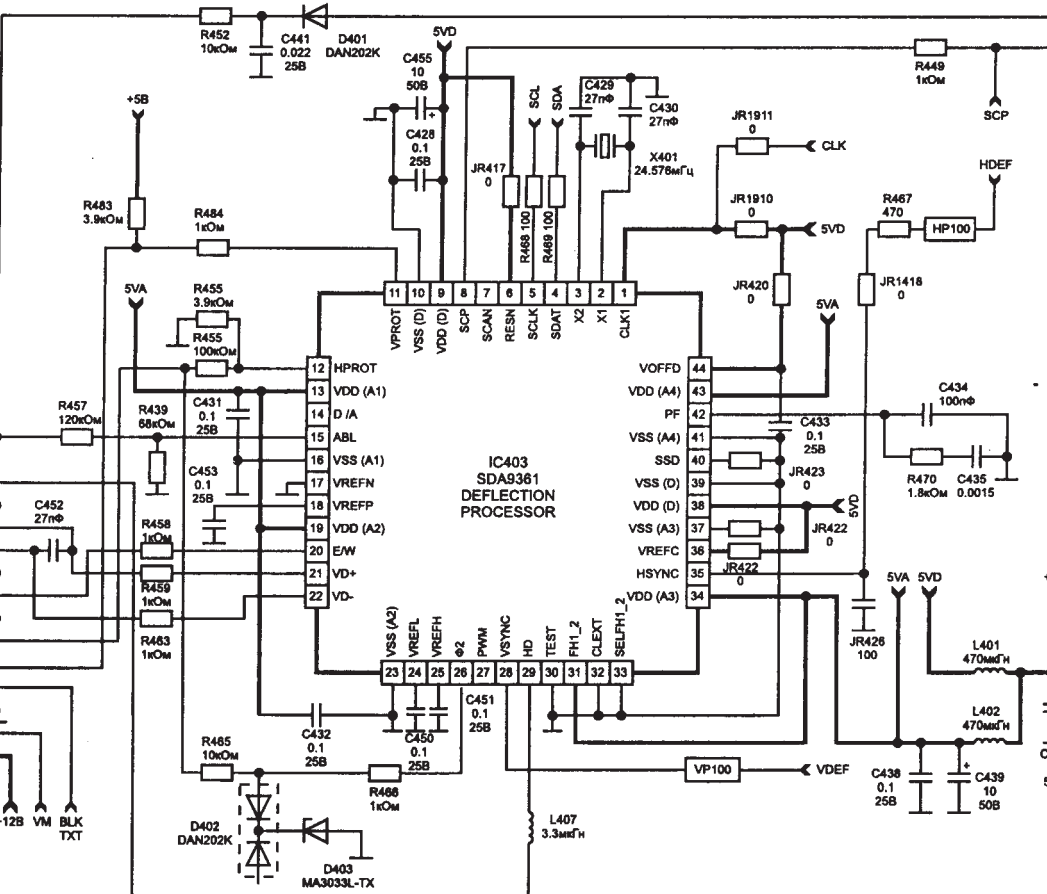
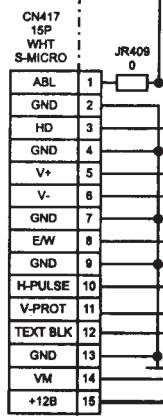
SOFTWARE

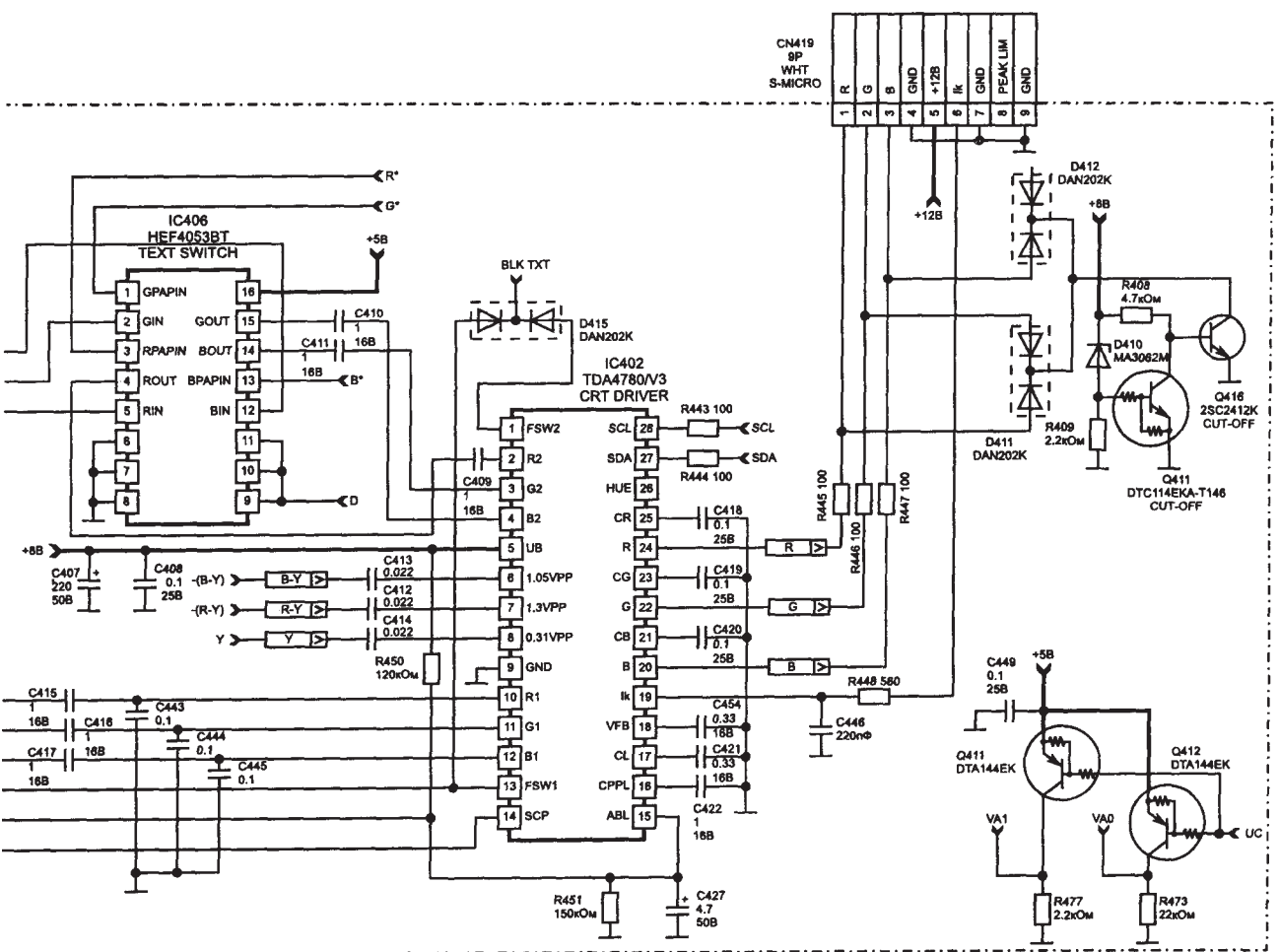
TO A (1/2) BOARD
CN1413

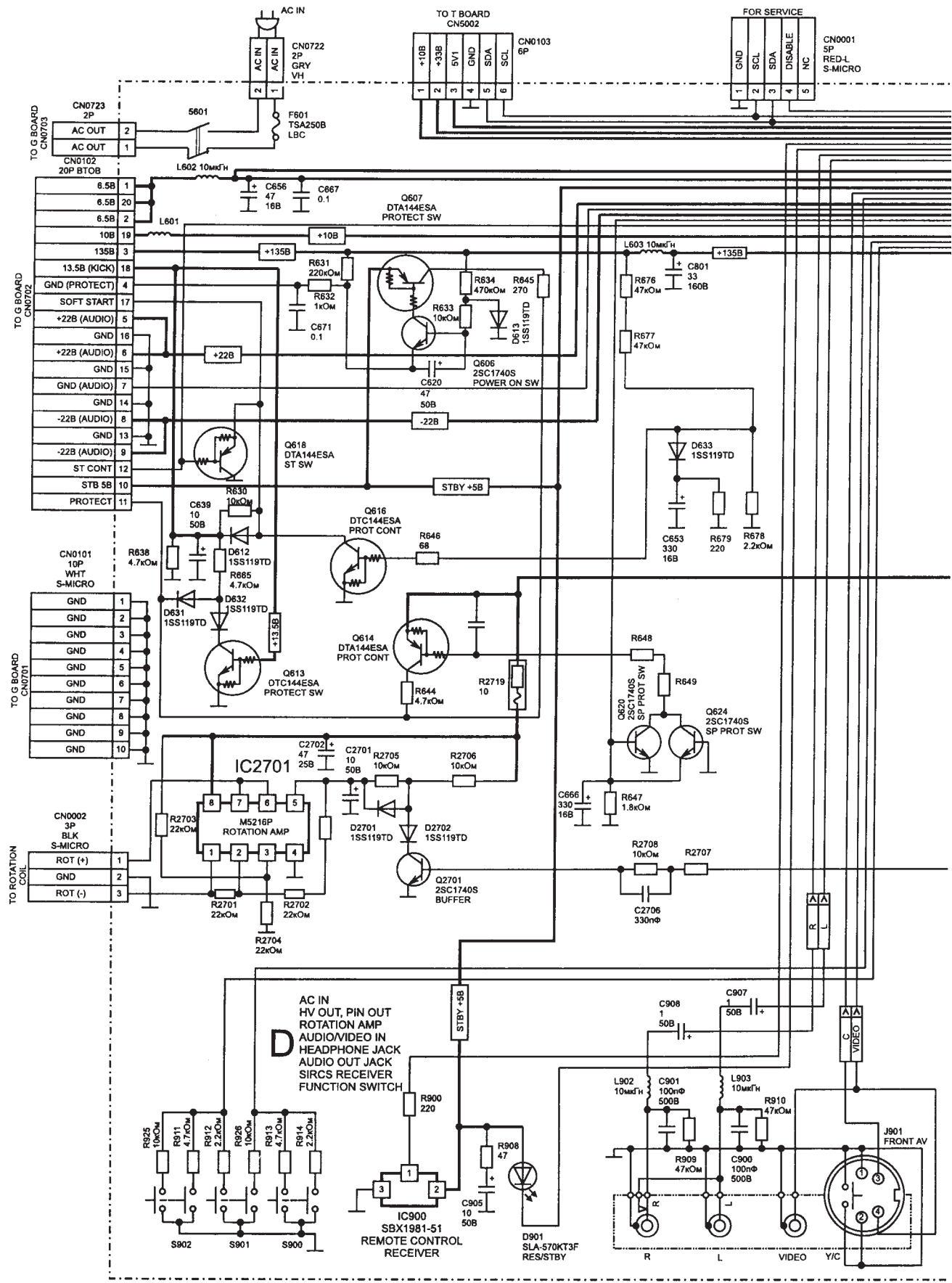
TO A (2/2) BOARD
CN2012



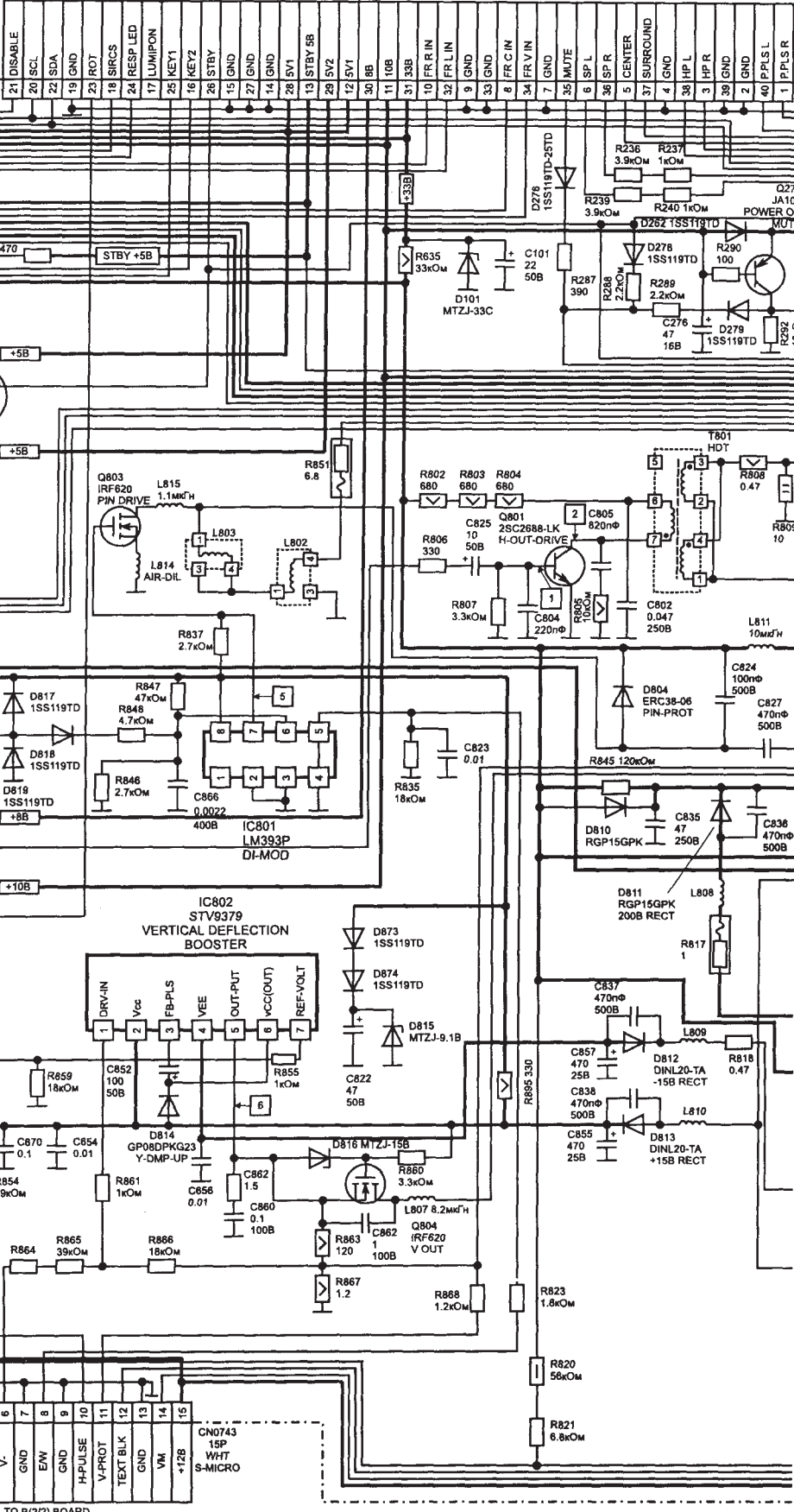
TO D BOARD
CN0743







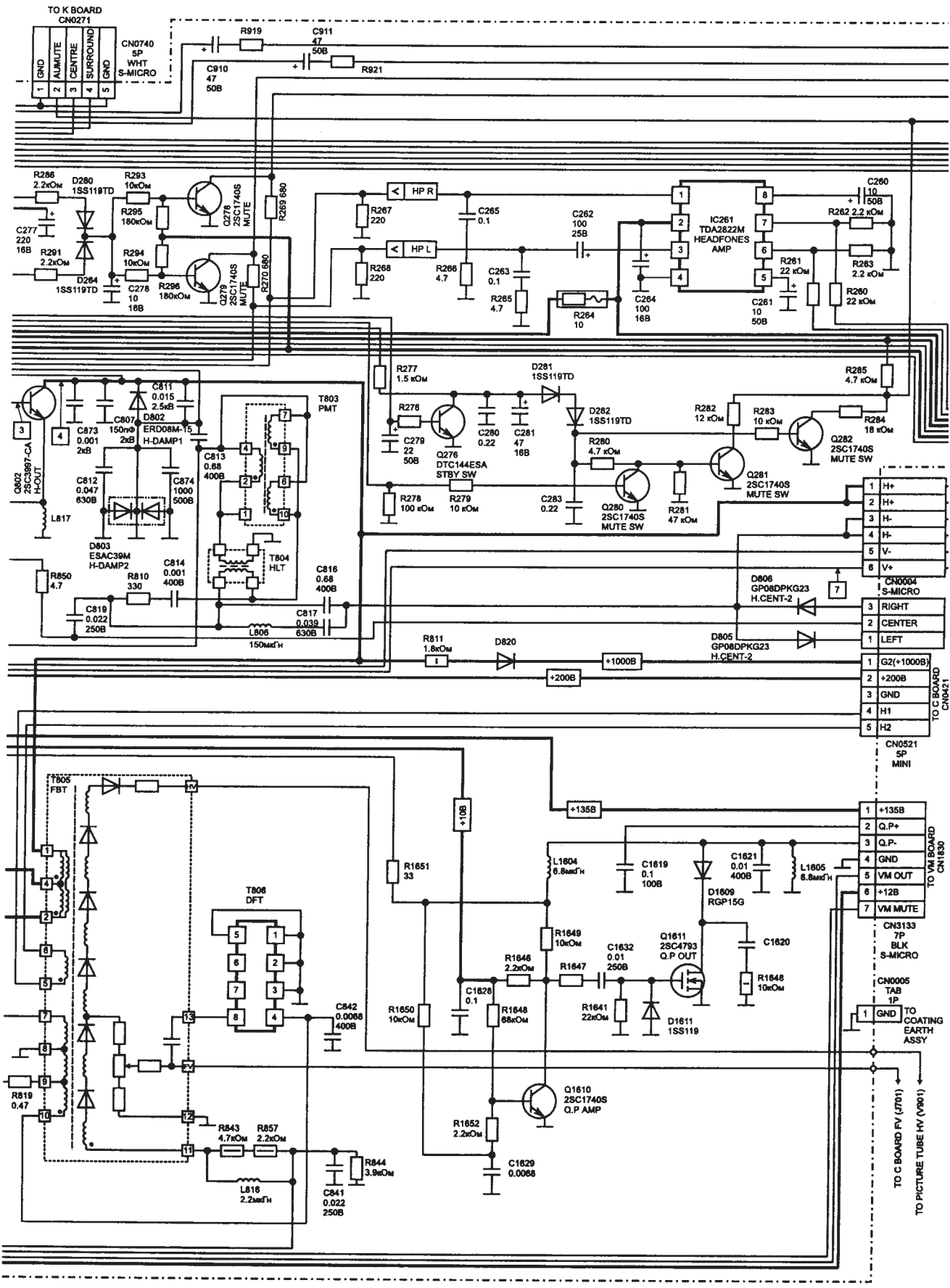
CN0745
40P
WHT
BT0B-S

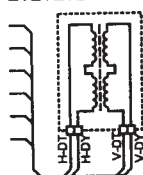
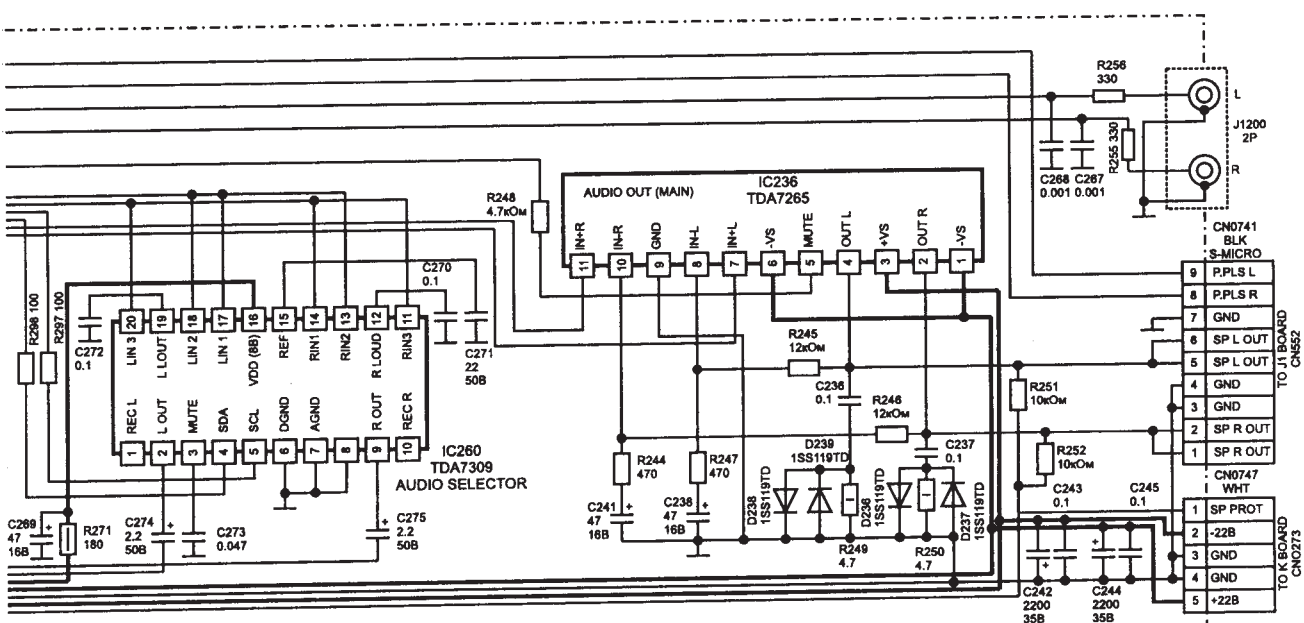


C902 0.022
C903 0.022

J900
HEADPHONES





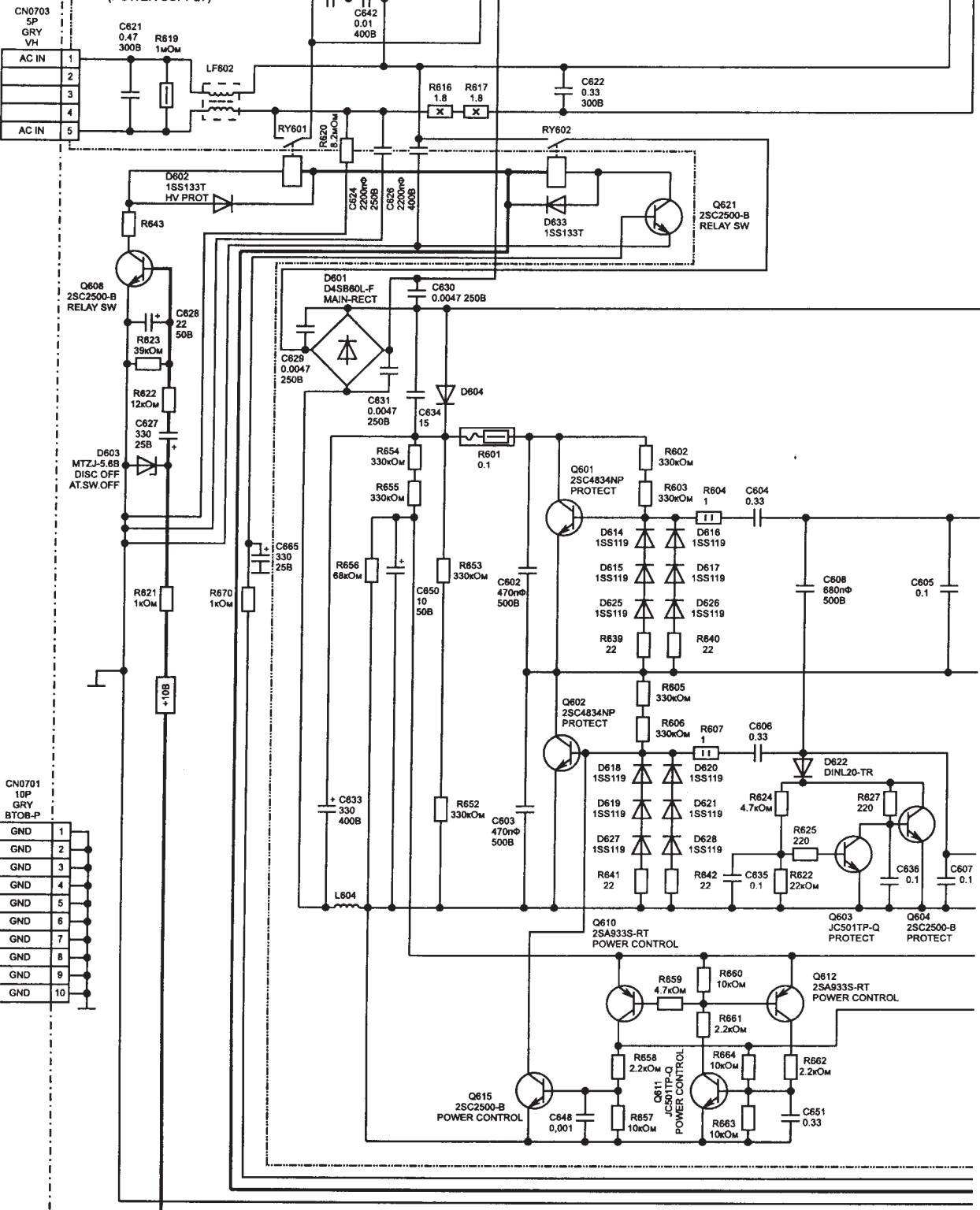


TO J1 BOARD
CN552

TO K BOARD
CN0273

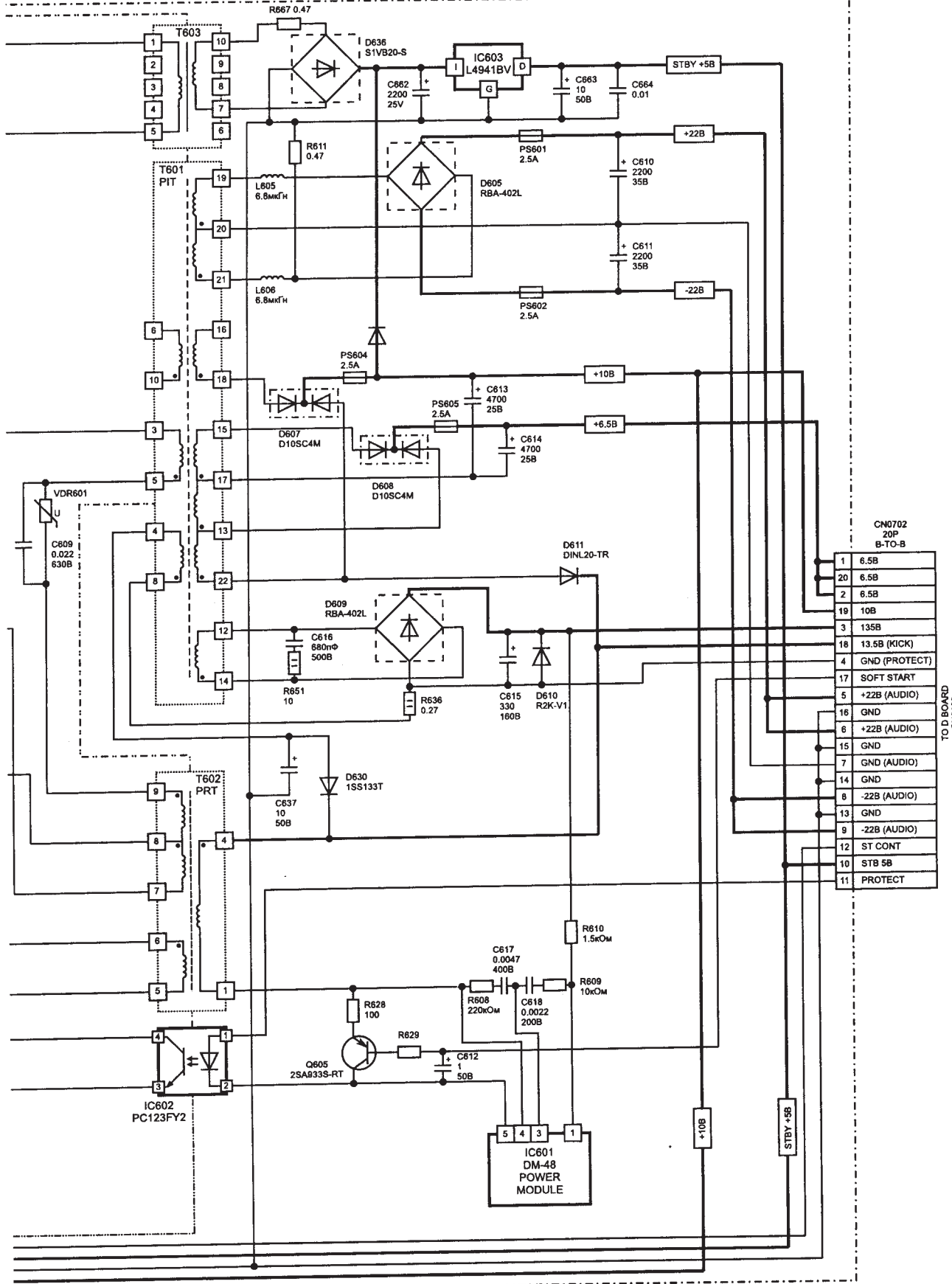
TO D BOARD
CN0723

G (POWER SUPPLY)



TO D BOARD
CN0701

CN0701	10P	GRY	BT0B-P
GND	1		
GND	2		
GND	3		
GND	4		
GND	5		
GND	6		
GND	7		
GND	8		
GND	9		
GND	10		



CN0702
20P
B-TO-B

1	6.5B
20	6.5B
2	6.5B
19	10B
3	13.5B
18	13.5B (KICK)
4	GND (PROTECT)
5	SOFT START
17	+22B (AUDIO)
16	GND
6	+22B (AUDIO)
15	GND
7	GND (AUDIO)
14	GND
8	-22B (AUDIO)
13	GND
9	-22B (AUDIO)
12	ST CONT
10	STB 5B
11	PROTECT

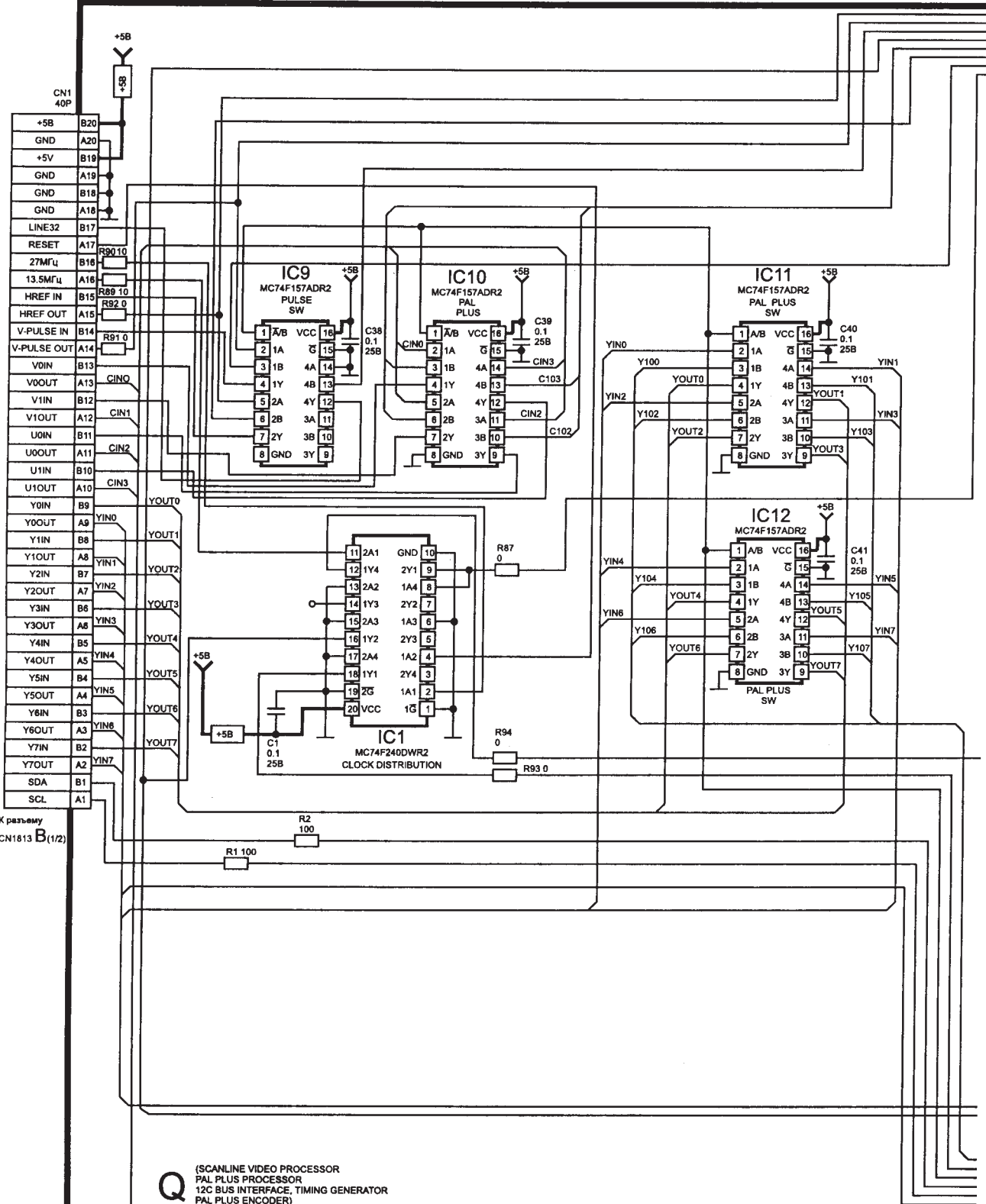
TO D BOARD
CN0102

IC601
DM-48
POWER
MODULE

IC602
PC123FY2

+10B

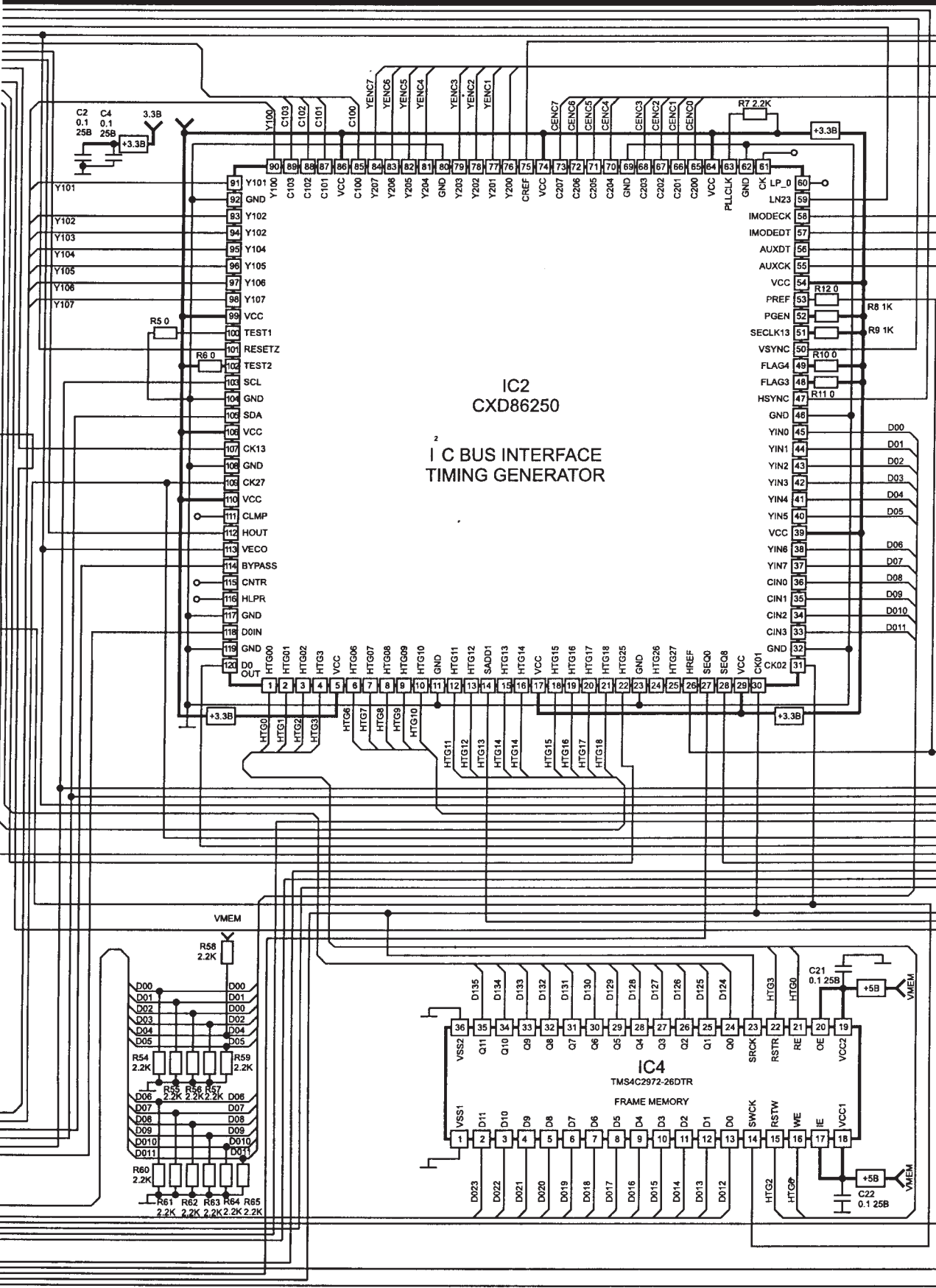
STBY 5B

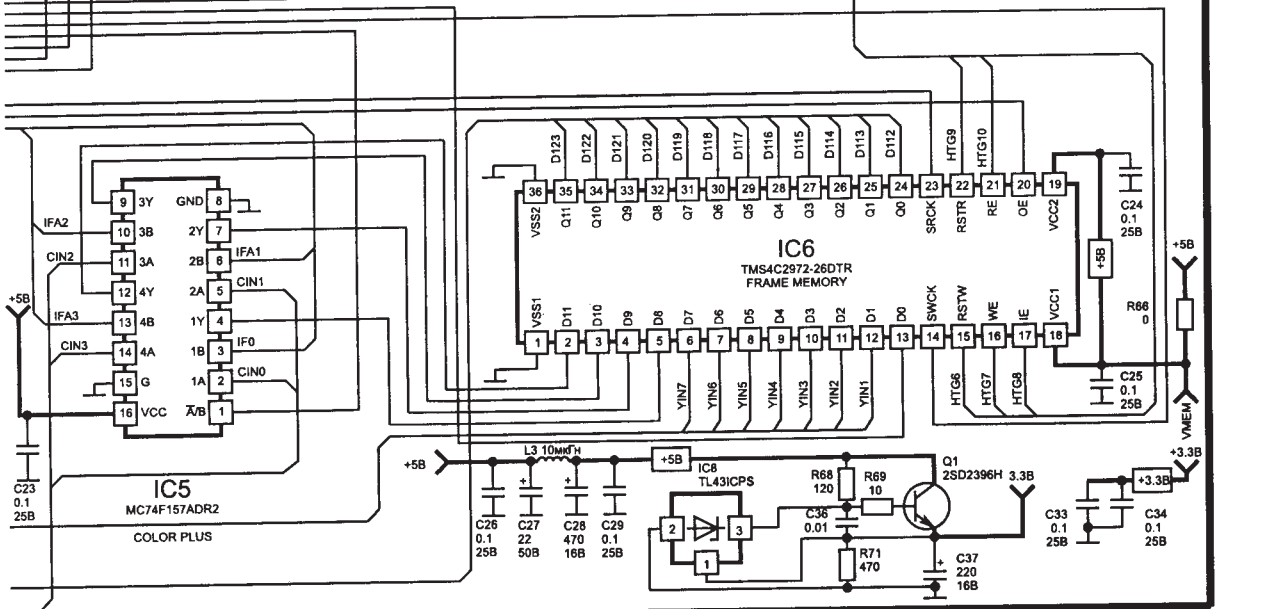
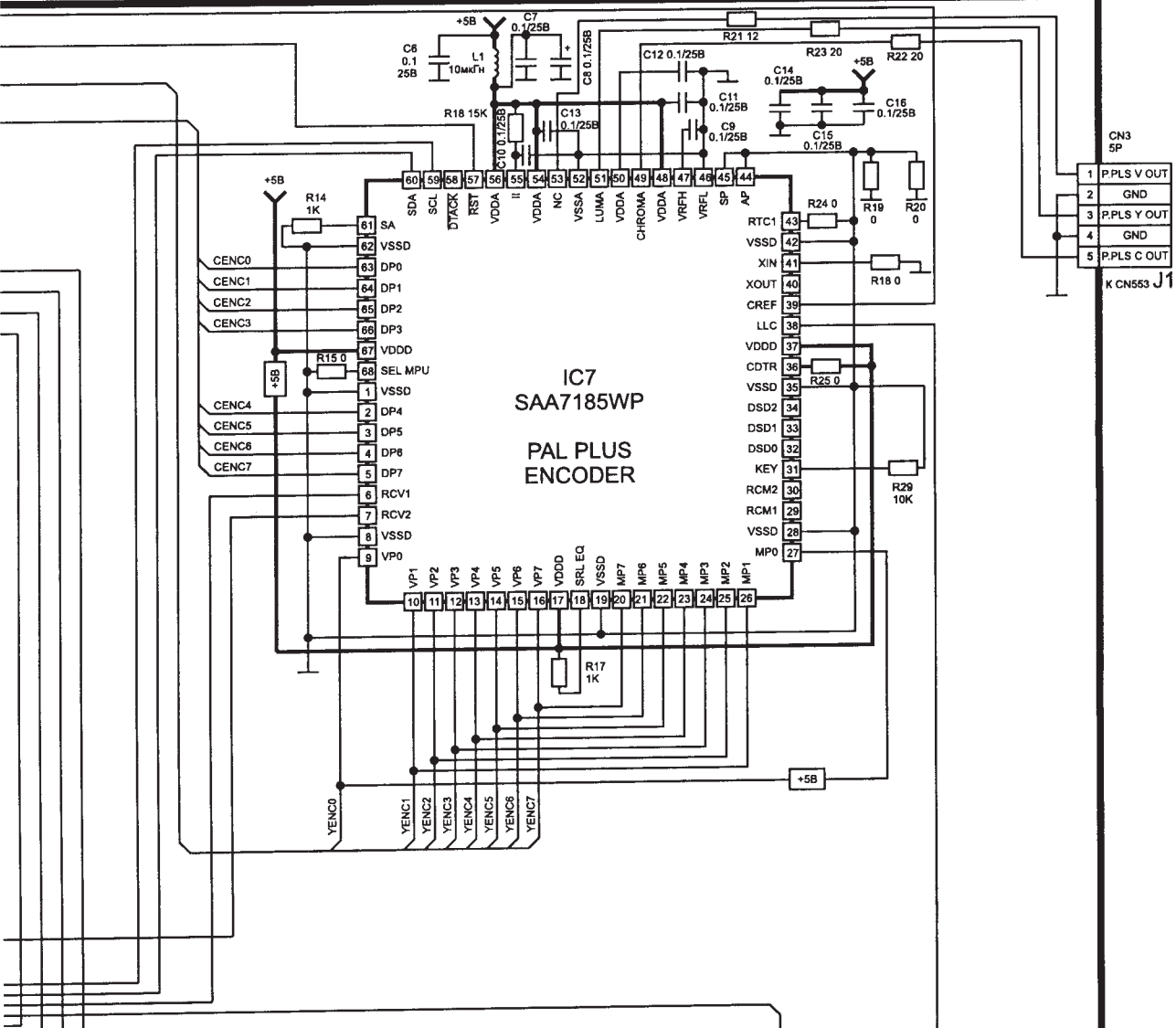


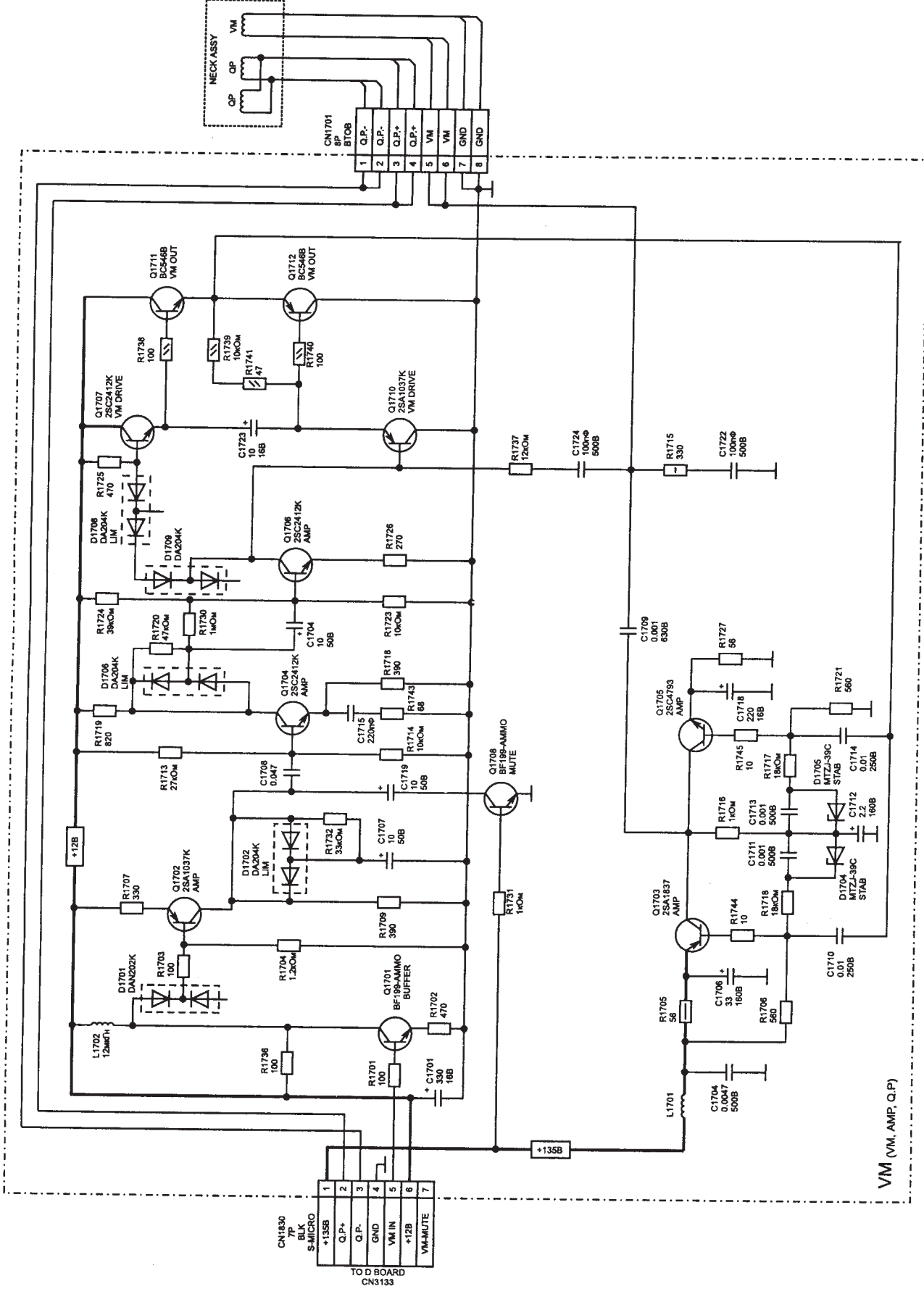
Q (SCANLINE VIDEO PROCESSOR
 PAL PLUS PROCESSOR
 12C BUS INTERFACE, TIMING GENERATOR
 PAL PLUS ENCODER)

IC2
CXD86250
I C BUS INTERFACE
TIMING GENERATOR

IC4
TMS4C2972-26DTR
FRAME MEMORY

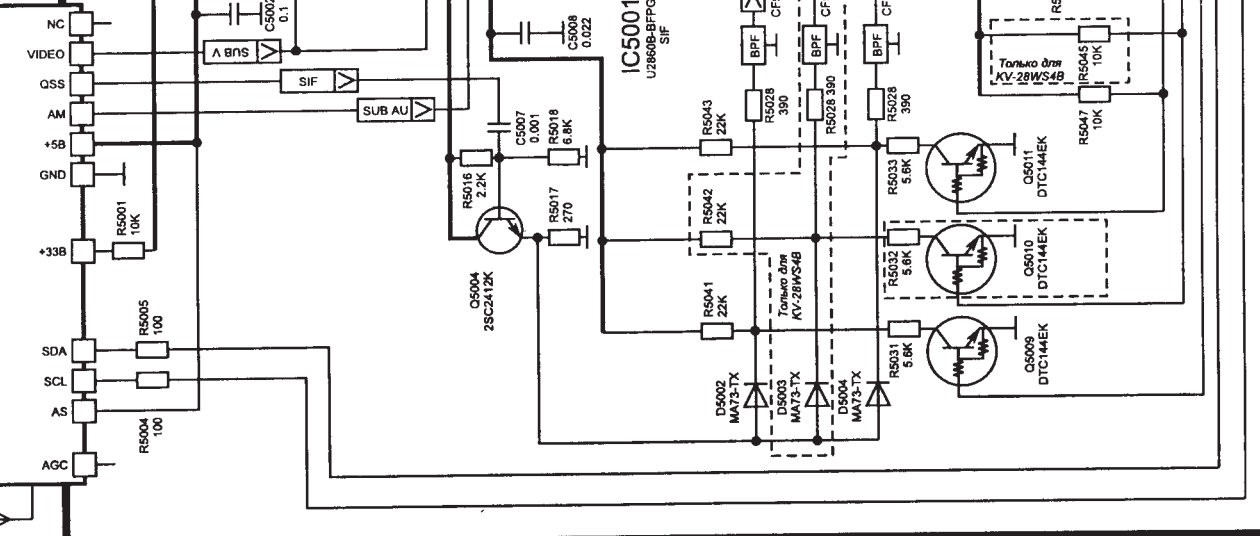






Принципиальная схема. Плата VM

TL5001
TUNER/MIF (FR) - монтаж для KV-28WS/4B
TUNER/MIF (AEP) - монтаж для KV-28WS/4A, 4D, 4E, 4K, 4R



T (SUB TUNER)

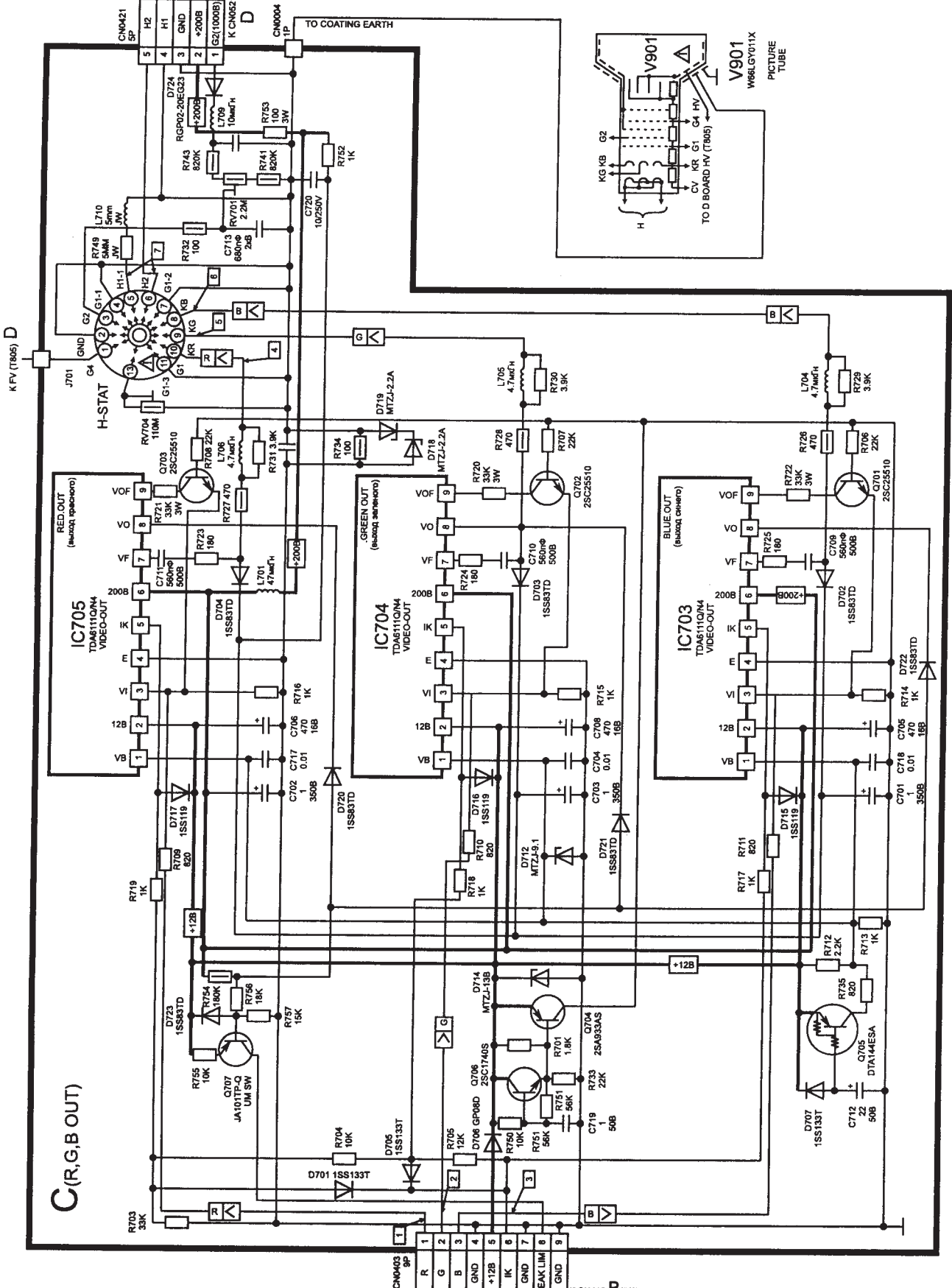
CN5001
5P
1 AUDIO
2 GND
3 CVBS
4 GND
5 ATT SW
K paraseley
CN117

CN5002
6P
1 +10B
2 +33B
3 5B1
4 GND
5 SDA
6 SCL
K paraseley
CN013

IC5002
CX1875AM-T4
BAND CONTROL

IC5001
U2860B-BFPG3
SIF

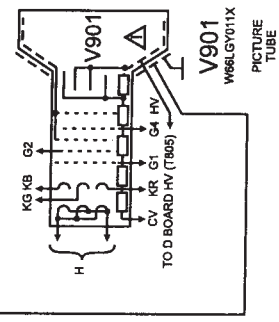
IC5003
DTC144EK



K.F.V. (T805) D

C(R,G,B OUT)

CH0403 SP
 R 1
 G 2
 B 3
 GND 4
 +12B 5
 GND 6
 PEAK LIM 7
 GND 8
 GND 9
 K CH419 B(2/2)



V901
 W66LG'011X
 PICTURE TUBE
 TO D BOARD HV (T805)

K